

# REPAIR PARTS

---

## ACSF Horizontal Fan Coil

ACSF18MN1605AA  
ACSF18MN1608AA  
ACSF24LN1605AA  
ACSF24LN1606AA  
ACSF24LN1608AA  
ACSF24LN1610AA  
ACSF30LN1605AA  
ACSF30LN1606AA  
ACSF30LN1608AA  
ACSF30LN1610AA



This manual is to be used by qualified technicians only.

© 2023 Goodman Manufacturing Company, L.P. ♦ 19001 Kermier Rd. ♦ Waller, TX 77484

# Important Information

---

## Index

Functional Parts List .....	3
Illustration and Parts .....	4 - 9

*Views shown are for parts illustrations only, not servicing procedures.*

### Text Codes:

AR - As Required

NA - Not Available

NS - Not Shown

00000000 - See Note

QTY - Quantity Example (QTY 3) (If Quantity not shown, Quantity = 1)

M - Model Example (M1) (If M Code not shown, then part is used on all Models)

### Expanded Model Nomenclature:

Example M1 - Model#1 M2 - Model#2 M3 - Model#3
---

Goodman Manufacturing Company, L.P. is not responsible for personal injury or property damage resulting from improper service. Review all service information before beginning repairs.

Warranty service must be performed by an authorized technician, using authorized factory parts. If service is required after the warranty expires, Goodman Manufacturing Company, L.P. also recommends contacting an authorized technician and using authorized factory parts.

Goodman Manufacturing Company, L.P. reserves the right to discontinue, or change at any time, specifications or designs without notice or without incurring obligations.

For assistance within the U.S.A. contact:  
Homeowner Support  
Goodman Manufacturing Company, L.P.  
19001 Kermier Road  
Waller, Texas 77484  
877-254-4729-Telephone  
713-863-2382-Facsimile

For assistance outside the U.S.A. contact:  
International Division  
Goodman Manufacturing Company, L.P.  
19001 Kermier Road  
Waller, Texas 77484  
713-861-2500-Telephone  
713-863-2382-Facsimile

# Functional Parts

## Part

## No: Description:

---

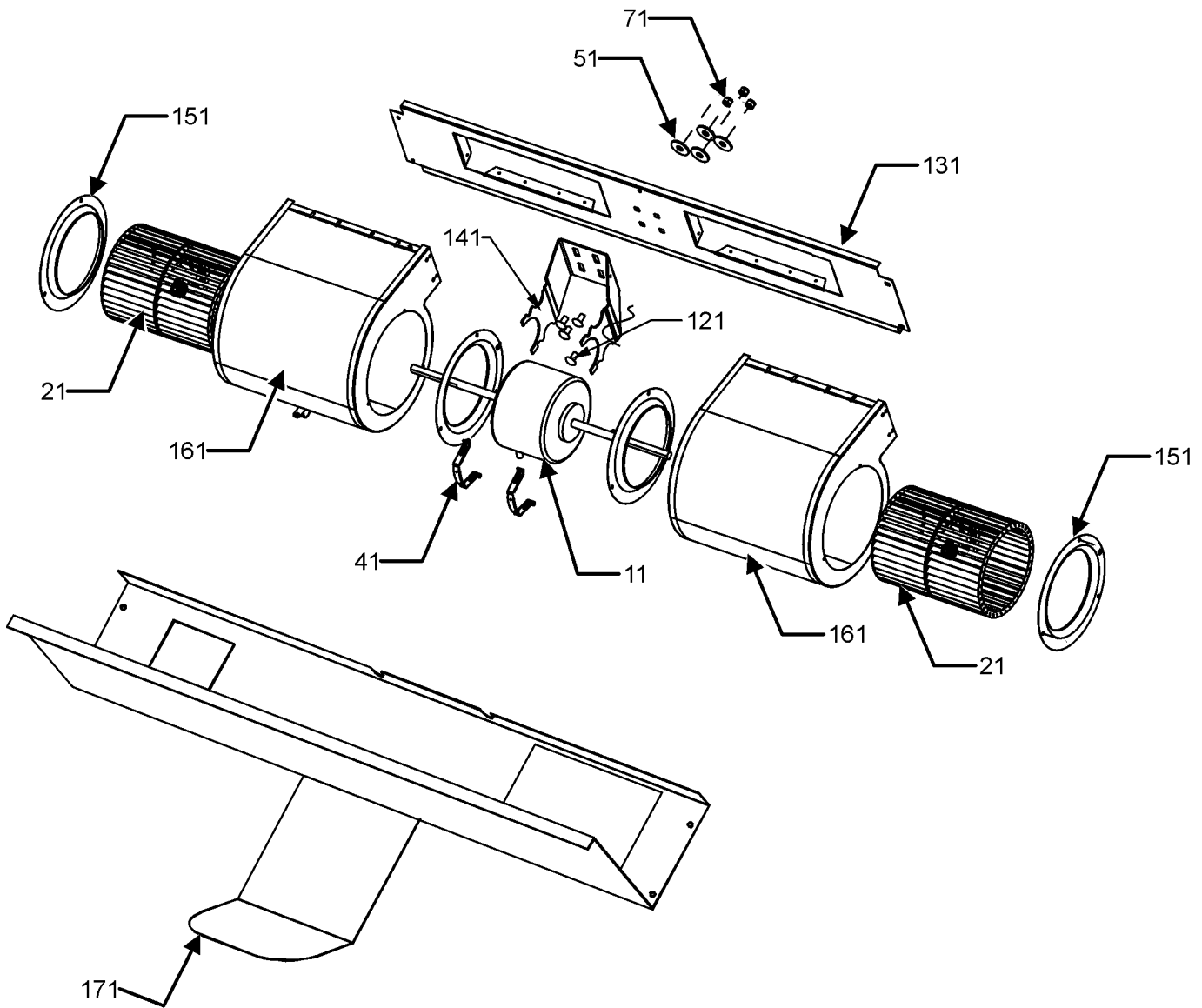
0131M01049	ACSF18 BLDC CONTROLLER-1/4 HP (M1, M2)
0131M01050	ACSF24/30BLDCCONTROLLER-1/4HP (M3, M4, M5, M6, M7, M8, M9, M10)
0131M00778	BLDC MOTOR-1/4 HP
CONT2P040024V	CONTACTOR 40 AMP, 2P, 24V
0175A00019	HEATING ELEMENT, 10 KW (M6, M10)
0175A00016	HEATING ELEMENT, 5 KW (M1, M3, M7)
0175A00017	HEATING ELEMENT, 6 KW (M4, M8)
0175A00018	HEATING ELEMENT, 8 KW (M2, M5, M9)
0130M00138	TRANSFORMER 208/230, 24V

### Expanded Model Nomenclature

M1 - ACSF18MN1605AA
M2 - ACSF18MN1608AA
M3 - ACSF24LN1605AA
M4 - ACSF24LN1606AA
M5 - ACSF24LN1608AA
M6 - ACSF24LN1610AA
M7 - ACSF30LN1605AA
M8 - ACSF30LN1606AA
M9 - ACSF30LN1608AA
M10 - ACSF30LN1610AA

# Blower Assembly

BLOWER ASSEMBLY



BLOWER ASSEMBLY MAY DIFFERE FROM WHAT IS SHOWN

# Blower Assembly

Ref. Part No:	Description:	Ref. Part No:	Description:
---------------	--------------	---------------	--------------

**Image 1:**

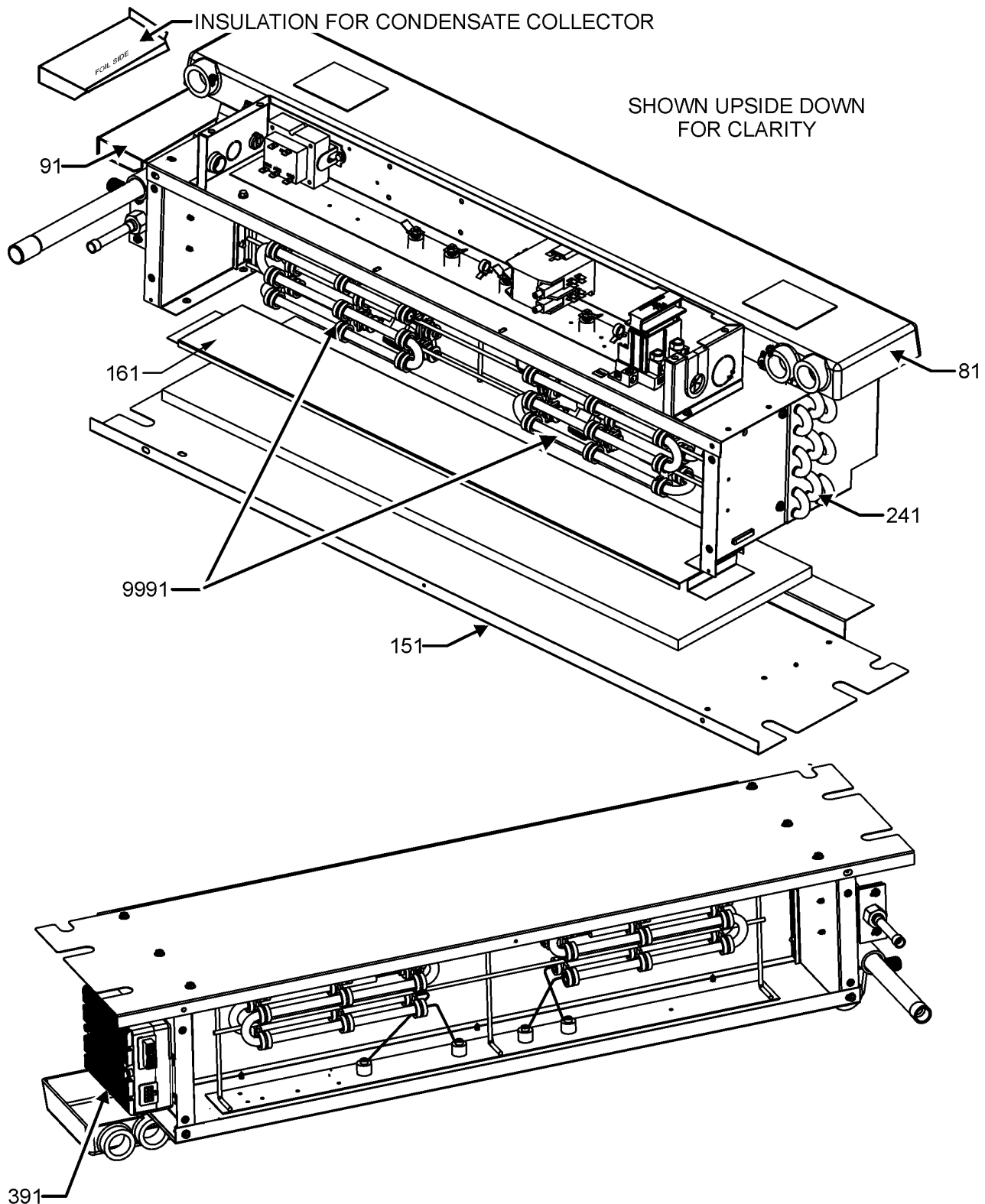
11	0131M00778	BLDC MOTOR-1/4 HP
21	0150M00026	Blower Wheel 6.30 X 8.06 (M1, M2)
21	0150M00027	Blower Wheel 6.70 X 8.06 (M3, M4, M5, M6, M7, M8, M9, M10)
41	BT1392500	MOTOR MOUNT CLAMP (QTY 2)
51	B1392919	WASHER, 3/8 FENDER (QTY 4)
71	B1393804	NYLON LOCKNUT, .31-18 (QTY 4)
121	BT1393706	CARRIAGE BOLT .31 - 18 X .625" (QTY 4)
131	3614005	BLOWER DECK 10.75", LARGE (M3, M4, M5, M6, M7, M8, M9, M10)
131	3614003	BLOWER DECK 10.750", MED (M1, M2)
141	3616000	MOTOR MOUNT BRACKET
151	3642001	VENTURI 0.5" (QTY 4)
161	3660201	BLOWER HOUSING (QTY 2)
171	3617000	MOTOR SHIELD

**Expanded Model Nomenclature**

- |                      |
|----------------------|
| M1 - ACSF18MN1605AA  |
| M2 - ACSF18MN1608AA  |
| M3 - ACSF24LN1605AA  |
| M4 - ACSF24LN1606AA  |
| M5 - ACSF24LN1608AA  |
| M6 - ACSF24LN1610AA  |
| M7 - ACSF30LN1605AA  |
| M8 - ACSF30LN1606AA  |
| M9 - ACSF30LN1608AA  |
| M10 - ACSF30LN1610AA |

# CONTROL PANEL AND COIL ASSEMBLY

## CONTROL PANEL AND COIL ASSEMBLY



CONTROL PANEL AND COIL ASSEMBLY MAY DIFFER FROM WHAT IS SHOWN

# CONTROL PANEL AND COIL ASSEMBLY

Ref. Part No:	Ref. Part No:	Description:	Description:
<b>Image 1:</b>			
81	BT3076504DF	DRAINPAN, LARGE, FCA, ACHAC (M3, M4, M5, M6, M7, M8, M9, M10)	
81	BT3076503DF	DRAINPAN, MED, FCA, ACHAC (M1, M2)	
91	0121A01585	CONDENSATE COLLECTOR	
151	3613001	EVAP TOP PANEL (M1, M2)	
151	3613002	EVAP TOP PANEL (M3, M4, M5, M6, M7, M8, M9, M10)	
161	3615001	EVAP COIL BLOCK-OFF (M1, M2)	
161	3615002	EVAP COIL BLOCK-OFF (M3, M4, M5, M6, M7, M8, M9, M10)	
241	0270A01761	COIL TUBING ASSY (M1, M2)	
241	0270A01770	COIL TUBING ASSY (M3, M4, M5, M6, M7, M8, M9, M10)	
391	0131M01049	ACSF18 BLDC CONTROLLER-1/4 HP (M1, M2)	
391	0131M01050	ACSF24/30BLDCCONTROLLER-1/4HP (M3, M4, M5, M6, M7, M8, M9, M10)	
9991	0175A00019	HEATING ELEMENT, 10 KW (M6, M10)	
9991	0175A00016	HEATING ELEMENT, 5 KW (M1, M3, M7)	
9991	0175A00017	HEATING ELEMENT, 6 KW (M4, M8)	
9991	0175A00018	HEATING ELEMENT, 8 KW (M2, M5, M9)	
NS	0163M00175	CAP WITH O-RING	
NS	3631001	DRIP SHIELD, 2.5 TON (M1, M2)	
NS	3631002	DRIP SHIELD, 3 TON (M3, M4, M5, M6, M7, M8, M9, M10)	
NS	3630005	EVAP SUPPORT ASSY LRG (M3, M4, M5, M6, M7, M8, M9, M10)	
NS	3630004	EVAP SUPPORT ASSY MED (M1, M2)	
NS	0151M00104	VALVE CORE	

## Expanded Model Nomenclature

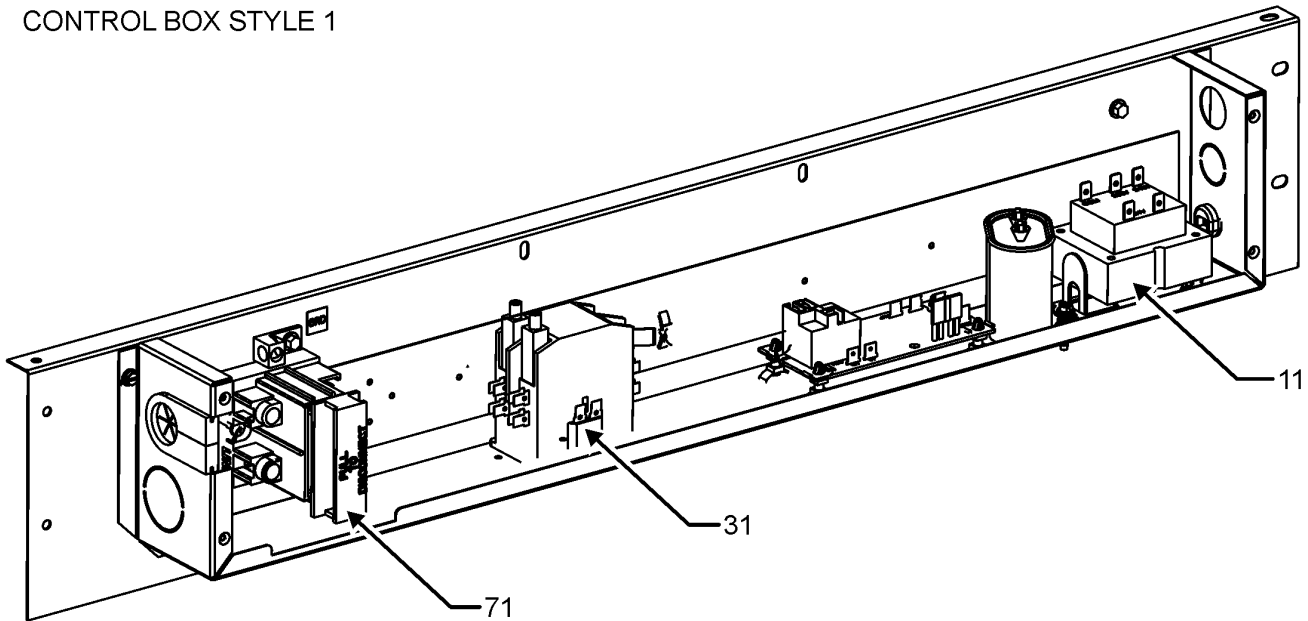
M1 - ACSF18MN1605AA
M2 - ACSF18MN1608AA
M3 - ACSF24LN1605AA
M4 - ACSF24LN1606AA
M5 - ACSF24LN1608AA
M6 - ACSF24LN1610AA
M7 - ACSF30LN1605AA
M8 - ACSF30LN1606AA
M9 - ACSF30LN1608AA
M10 - ACSF30LN1610AA

# Control Box Assembly

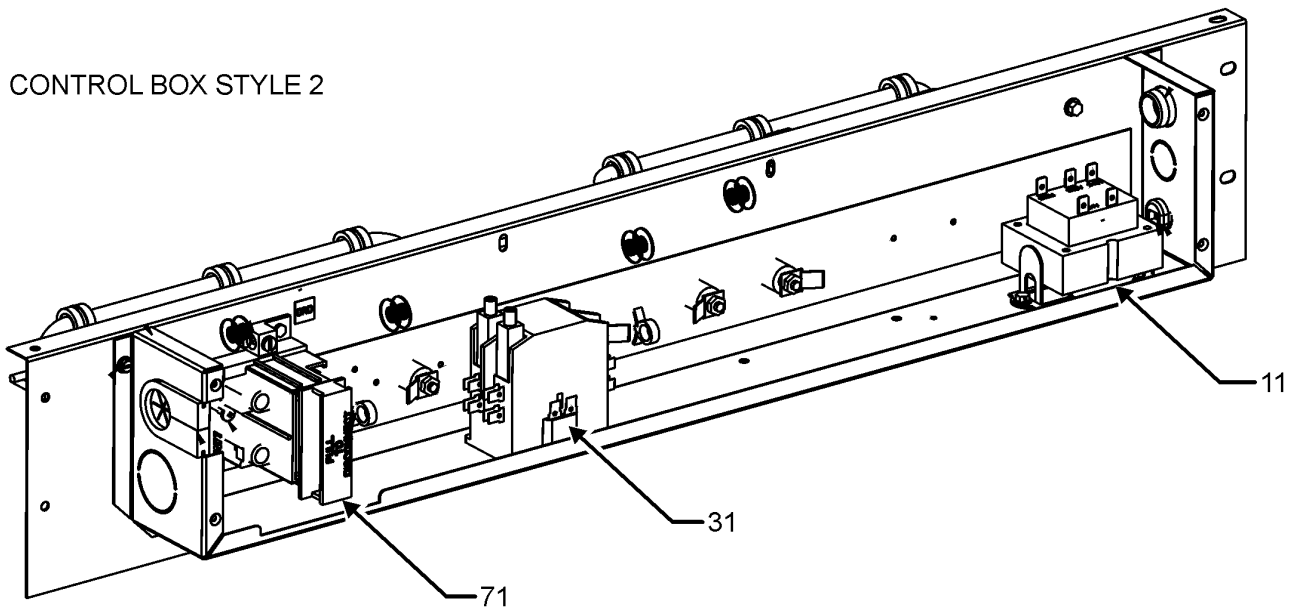
CONTROL BOX ASSEMBLY

SHOWN UPSIDE DOWN FOR CLARITY

CONTROL BOX STYLE 1



CONTROL BOX STYLE 2



CONTROL BOX ASSEMBLY MAY DIFFER FROM WHAT IS SHOWN



# Control Box Assembly

Ref. Part No:	No:	Description:	Ref. Part No:	No:	Description:
---------------	-----	--------------	---------------	-----	--------------

---

**Image 1:**

11	0130M00138	TRANSFORMER 208/230, 24V
31	CONT2P040024V	CONTACTOR 40 AMP, 2P, 24V
71	0130A00167	DISCONNECT, PULLOUT
NS	0159A00003	DOUBLE CRIMPED WIRE HARNESS
NS	0130M00488	FUSE HOLDER
NS	20477501	GROMMET-HORSESHOE
NS	0159A00003	WIRE HARNESS
NS	0130A00135	X13 LOW VOLTAGE WIRE HARNESS
NS	0230M00002	X-13 POWER HARNESS

**Expanded Model Nomenclature**

M1 - ACSF18MN1605AA
M2 - ACSF18MN1608AA
M3 - ACSF24LN1605AA
M4 - ACSF24LN1606AA
M5 - ACSF24LN1608AA
M6 - ACSF24LN1610AA
M7 - ACSF30LN1605AA
M8 - ACSF30LN1606AA
M9 - ACSF30LN1608AA
M10 - ACSF30LN1610AA