

Customer No.	Phone	Date
Customer Name	Fax	Sales Rep

FAX COMPLETED ORDER FORM TO: 1-866-206-5581

SLAB DOOR INFORMATION

Part Number

Qty

Door Location Door Type

- Interior 1-3/8" Slab Only
 Exterior 1-3/4" Pre-Hung

Bore Options

- Single Entry/Passage/Privacy
 Single Deadbolt Only
 Double

Door Texture Door Finish

- Smooth Primed
 Woodgrain Raw

Door Composition Door Style

- Hollow Core 6 Panel
 Solid Core Flush
 Steel
 Fiberglass

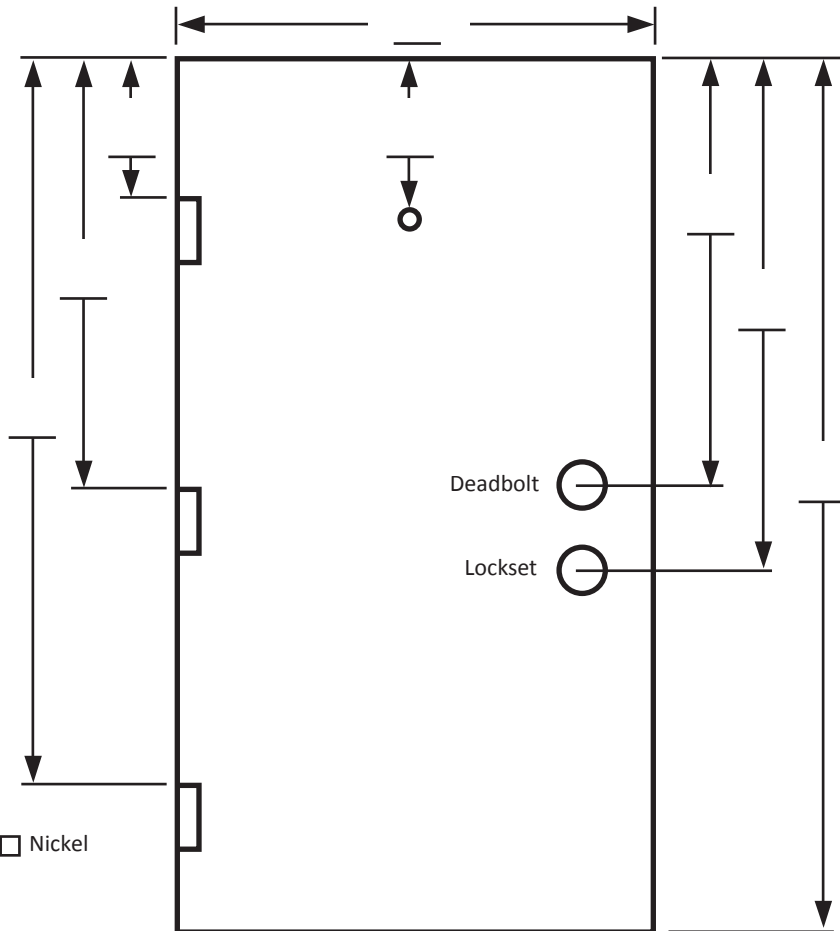
Hinges for Prehung Only

- Radius Corner
 Square Corner

Hinge Color

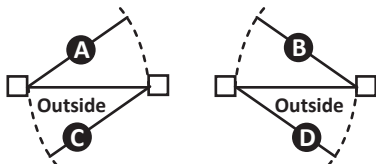
- Oil Rubbed Bronze Polished Brass Nickel
 Other: Antique Brass

Indicate Hinge, Lockset and Deadbolt Locations



**Hinge and Deadbolt placement measurements not necessary for most pre-hung applications. If required, please note.*

- Handling**
- A** LH Inswing
 B RH Inswing
 C LH Outswing
 D RH Outswing



- All measurements must be in inches and taken from the top of the door.
- All lock bores will have a standard 2-1/8" diameter.
- All latch bores will have a standard 1" diameter.
- Provide measurements to the nearest 1/16".
- If door is cut more than 1" in height, it must be rerailed.

Due to the custom requirements and lead times, slab doors are not returnable. Any additional charges for changing sizes or quantities after the initial order is placed will require a new worksheet, and an additional invoice will be created. By signing below, you agree to the terms stated above.

Accepted by: _____ Date: _____