



# Puppy Glove™

# 415244

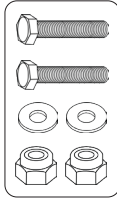
## HANGING BAG PET STATION - STEEL POST INSTALLATION INSTRUCTIONS

### Box 1 Includes:



- Aluminum Pet Sign

#### BAG B

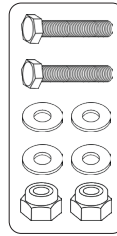


- BAG B:
  - 2 - 2-1/4" Bolts
  - 2 - Washers
  - 2 - Locknuts



- Aluminum Trash Receptacle (10 Gallon)
- Hinged Lid (attached)

#### BAG D



- BAG D:
  - 2 - 2-1/2" Bolts
  - 4 - Washers
  - 2 - Locknuts

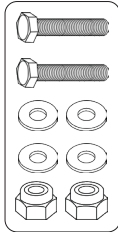


- 2 Keys for Dispenser (inside the dispenser)



- Aluminum Bag Dispenser

#### BAG C



- BAG C:
  - 2 - 2-1/2" Bolts
  - 4 - Washers
  - 2 - Locknuts



- 4 Hanging Dog Waste Pick Up Bag Packs (100 bags per pack)



- 1 Box of Trash Receptacle Liner Bags\*

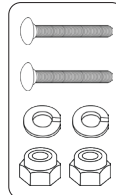
\*Trash receptacle liner bags and waste pick-up bags may be sent in a separate shipping box.

### Box 2 Includes:

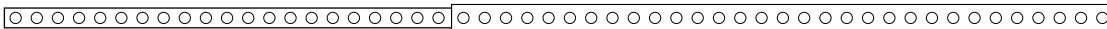
(Separate Shipping Box)

- 8' Galvanized Steel Telescopic Mounting Post
  - Small - 1-3/4" x 1-3/4" x 4'
  - Large - 2" x 2" x 4'

#### BAG A



- BAG A Contents:
  - 2 - Carriage Bolts (2-1/2" x 5/16")
  - 2 - Washers
  - 2 - Locknuts



**PLEASE CHECK THE CONTENTS OF THE BOXES AND CALL CHADWELL SUPPLY IF ANY PARTS ARE MISSING.**

**ChadwellSupply.com | 888.341.2423**



# Puppy Glove™

# 415244

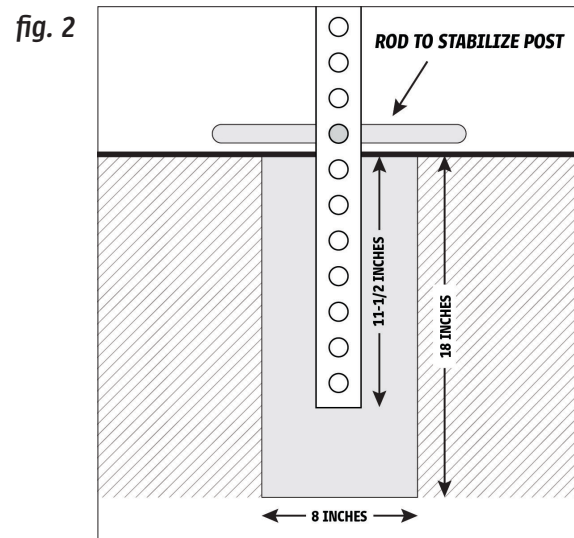
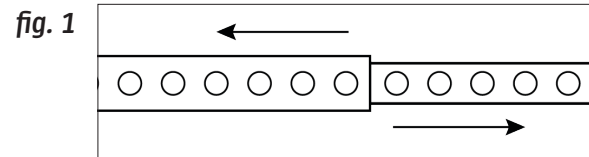
## HANGING BAG PET STATION - STEEL POST INSTALLATION INSTRUCTIONS

### CHOOSE A SPOT!

Pick a visible location in your community for the Puppy Glove™ Pet Station.

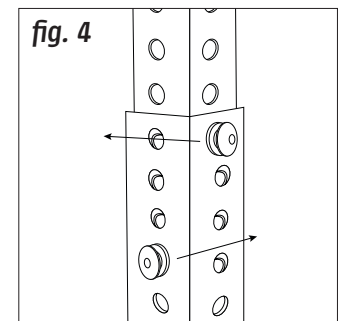
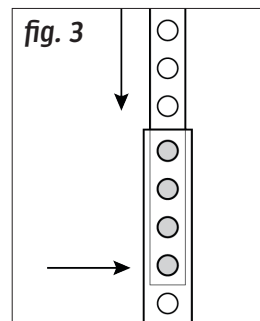
### INSTALL THE MOUNTING POST

- Separate the smaller post 1¼" x 1¼" x 4' from the larger post 2" x 2" x 4' (fig. 1).
- Dig an 18 inch deep by 8 inch wide hole (fig. 2).
- Insert the larger post (2" x 2" x 4') about 11½" into the hole.
- Make sure the post is level and plum (vertical position).
- Stabilize it by placing a rod (not included) through the holes right above ground level.
- Mix concrete (not included), following manufacturer instructions, then fill the hole with concrete.
- Let the concrete dry for at least 12 hours.



### ATTACH THE TOP POST

- Slide the smaller post into the larger cemented post until the first 4 holes align (fig. 3).
- Secure the posts together with enclosed carriage bolts, washers, and locknuts (Bag A) (fig. 4).
- Use one bolt in the top overlapping hole (pointing front to back).
- Use one bolt in the bottom overlapping hole (pointing left to right).
- Once assembled, the total height of the telescopic post should be about 6'6" (fig. 6).



### ATTACH THE SIGN

- Mount the Puppy Glove™ Pet Sign to the top of the 1¼" post, with the top hole of the sign matching the top hole in the post.
- Secure with the enclosed 2¼ bolts, washers and locknuts (Bag B) (fig. 5).





# Puppy Glove™

# 415244

## HANGING BAG PET STATION - STEEL POST INSTALLATION INSTRUCTIONS

### ATTACH THE BAG DISPENSER

- Remove the two keys located inside the dispenser.
- Insert key into the universal cam lock on the front access panel. Turn the key a quarter turn to the right or left.
- Gently pull the bottom of the front access panel about 2 inches towards you and lift to release and separate the front access panel from the body of the dispenser.
- Install the Puppy Glove™ Bag Dispenser just below the sign, about 1" under the bottom edge of the sign.
- Locate the two pre-drilled holes on the back wall of the dispenser.
- Align the two pre-drilled holes in the dispenser with the holes on the telescopic post and secure with the enclosed bolts, washers and locknuts (Bag C) (fig. 6).

### FILL/REFILL THE BAG DISPENSER

- To fill/refill the dispenser with Puppy Glove™ Hanging Dog Waste Pick Up Bag Pack, align the holes at the top of the hanging bag pack with the hooks at the top of the dispenser (fig. 6 & fig. 7).
- Reinstall the front locking access panel and lock with the key.
- Reach through the opening and find the end of the first bag and pull partially through the opening.

fig. 6

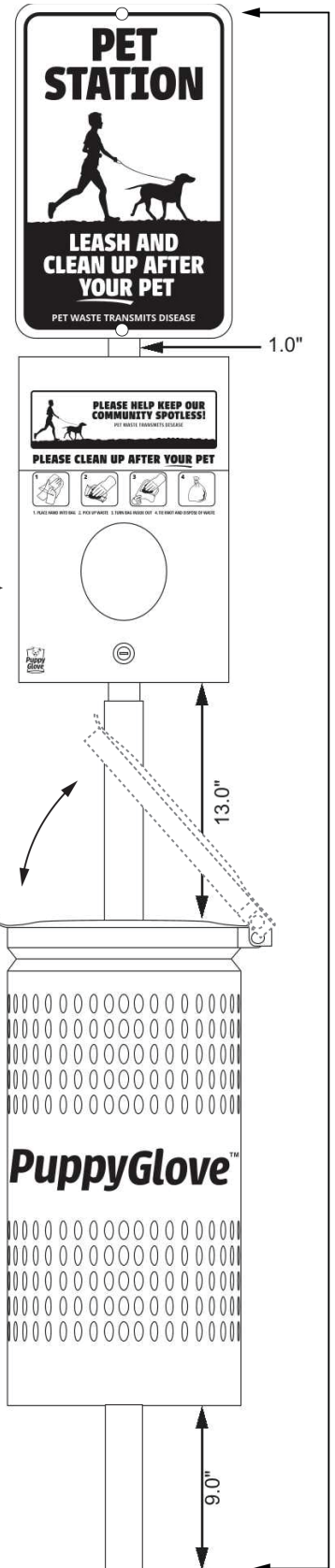


fig. 1

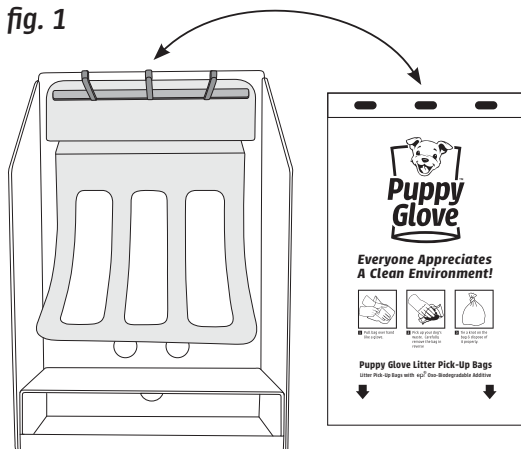


fig. 2





# Puppy Glove™

# 415244

## HANGING BAG PET STATION - STEEL POST INSTALLATION INSTRUCTIONS

### ATTACH THE TRASH RECEPTACLE

- Secure the trash receptacle to the post using the two 2½” bolts in the pre-drilled holes in the back wall of the receptacle (Bag D).

**NOTE:** The side with the flat edge on the lid goes up against the post.

- Ensure the top of the trash receptacle is about 13” below the bag dispenser.
- NOTE:** This allows the lid to open fully left to right without touching the post.
- The bottom of the can should be about 9” from the ground (fig. 6).

### INSTALL THE LINER TRASH BAG

- Pull the metal retainer bands up a couple of inches.
- Place a Puppy Glove™ Trash Receptacle Liner Bag inside the trash receptacle and fold it over the metal retainer bands.
- Then lower the metal retainers bands down to secure in place.

### MAINTENANCE

- Regular cleaning and maintenance will help expand the life of the trash receptacle.

### ENJOY THE RESULTS!

Watch pet owners use the station to keep the area clean and tidy!

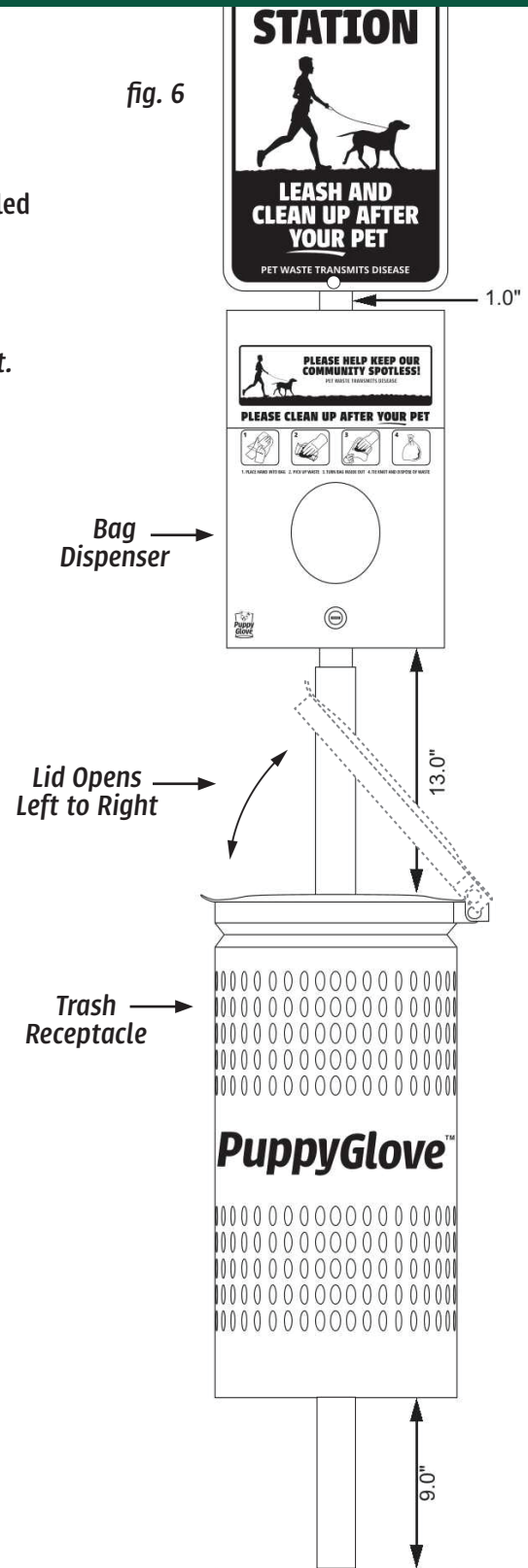
#### NEED MORE BAGS?

Contact Your Chadwell Supply Representative or Order Online.



ChadwellSupply.com | 888.341.2423

fig. 6



**Everyone Appreciates A Clean Environment!**