



Puppy Glove™

415240

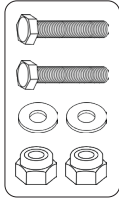
Aluminum Pet Station - Steel Post INSTALLATION INSTRUCTIONS

Box 1 Includes:



- Aluminum Pet Sign

BAG B

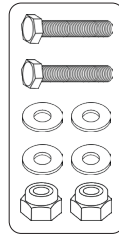


- **BAG B:**
 - 2 - 2-1/4" Bolts
 - 2 - Washers
 - 2 - Locknuts



- Aluminum Trash Receptacle (10 Gallon)
- Hinged Lid (attached)

BAG D



- **BAG D:**
 - 2 - 2-1/2" Bolts
 - 4 - Washers
 - 2 - Locknuts

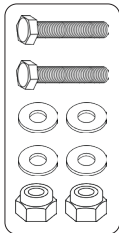


- 2 Keys for Dispenser (inside the dispenser)

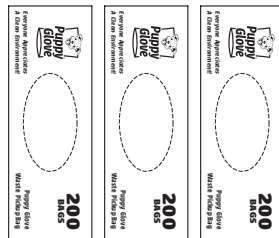


- Aluminum Bag Dispenser

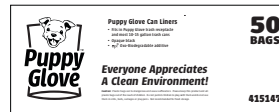
BAG C



- **BAG C:**
 - 2 - 2-1/2" Bolts
 - 4 - Washers
 - 2 - Locknuts



- 3 Boxes of Waste Pick Up Bags*



- 1 Box of Trash Receptacle Liner Bags*

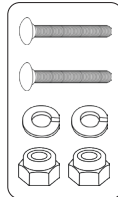
*Trash receptacle liner bags and waste pick-up bags may be sent in a separate shipping box.

Box 2 Includes:

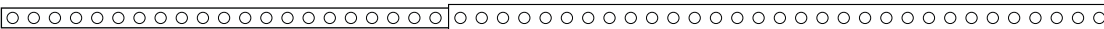
(Separate Shipping Box)

- 8' Galvanized Steel Telescopic Mounting Post
 - Small - 1-3/4" x 1-3/4" x 4'
 - Large - 2" x 2" x 4'

BAG A



- **BAG A Contents:**
 - 2 - Carriage Bolts (2-1/2" x 5/16")
 - 2 - Washers
 - 2 - Locknuts



PLEASE CHECK THE CONTENTS OF THE BOXES AND CALL CHADWELL SUPPLY IF ANY PARTS ARE MISSING.

ChadwellSupply.com | 888.341.2423



Puppy Glove™

415240

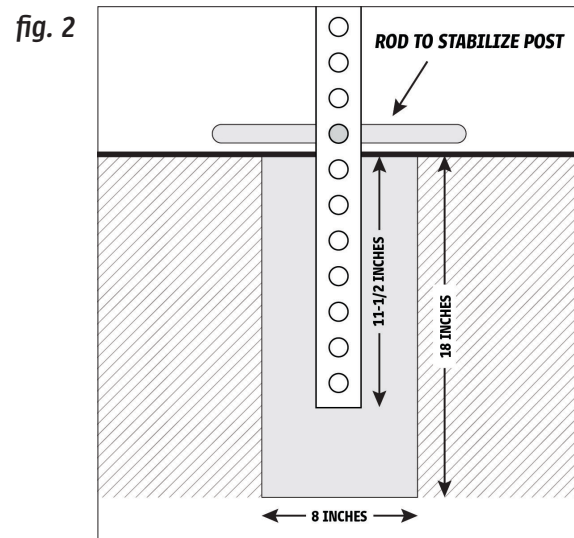
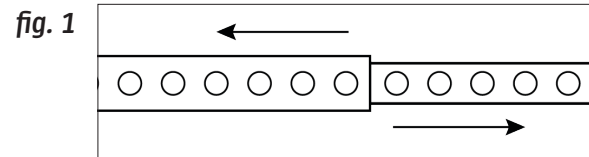
Aluminum Pet Station - Steel Post INSTALLATION INSTRUCTIONS

CHOOSE A SPOT!

Pick a visible location in your community for the Puppy Glove™ Pet Station.

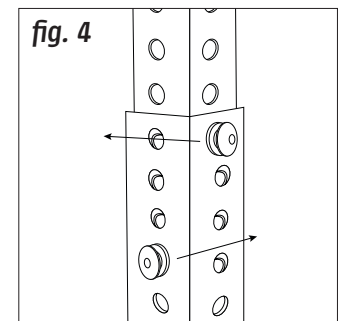
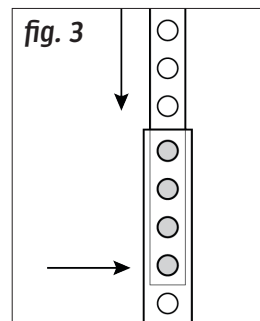
INSTALL THE MOUNTING POST

- Separate the smaller post 1¼" x 1¼" x 4' from the larger post 2" x 2" x 4' (fig. 1).
- Dig an 18 inch deep by 8 inch wide hole (fig. 2).
- Insert the larger post (2" x 2" x 4') about 11½" into the hole.
- Make sure the post is level and plum (vertical position).
- Stabilize it by placing a rod (not included) through the holes right above ground level.
- Mix concrete (not included), following manufacturer instructions, then fill the hole with concrete.
- Let the concrete dry for at least 12 hours.



ATTACH THE TOP POST

- Slide the smaller post into the larger cemented post until the first 4 holes align (fig. 3).
- Secure the posts together with enclosed carriage bolts, washers, and locknuts (Bag A) (fig. 4).
- Use one bolt in the top overlapping hole (pointing front to back).
- Use one bolt in the bottom overlapping hole (pointing left to right).
- Once assembled, the total height of the telescopic post should be about 6'6" (fig. 6).



ATTACH THE SIGN

- Mount the Puppy Glove™ Pet Sign to the top of the 1¼" post, with the top hole of the sign matching the top hole in the post.
- Secure with the enclosed 2¼ bolts, washers and locknuts (Bag B) (fig. 5).





Puppy Glove™

415240

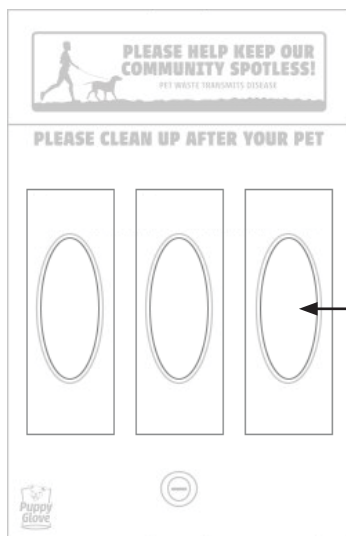
Aluminum Pet Station - Steel Post INSTALLATION INSTRUCTIONS

ATTACH THE BAG DISPENSER

- Remove the two keys located inside the dispenser.
- Insert key into the universal cam lock on the front access panel. Turn the key a quarter turn to the right or left.
- Gently pull the bottom of the front access panel about 2 inches towards you and lift to release and separate the front access panel from the body of the dispenser.
- Install the Puppy Glove™ Bag Dispenser just below the sign, about 1" under the bottom edge of the sign.
- Locate the two pre-drilled holes on the back wall of the dispenser.
- Align the two pre-drilled holes in the dispenser with the holes on the telescopic post and secure with the enclosed bolts, washers and locknuts (Bag C) (fig. 6).

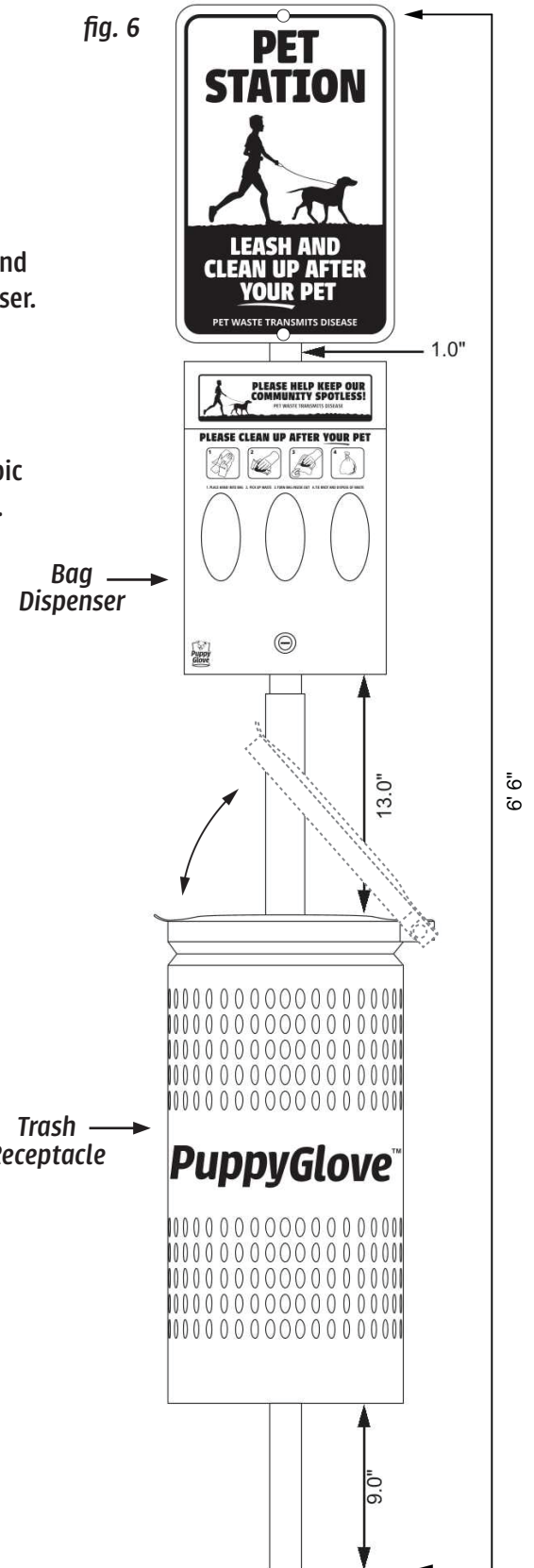
FILL/REFILL THE BAG DISPENSER

- To fill/refill the dispenser with Puppy Glove™ Waste Pick Up Bags, take the 3 boxed rolls, and tear off the perforated seal from each box.
- Place the 3 boxes next to each other vertically on the shelf inside the body of the dispenser with the opening of the boxes facing the front.
- Reinstall the front locking access panel and lock with the key.
- Reach through each of the 3 openings and find the edge of the first bag and pull until the Puppy Glove™ logo is visible.



Align waste pick up bag boxes with the oval openings on the front of the dispenser.

fig. 6





Puppy Glove™

415240

Aluminum Pet Station - Steel Post INSTALLATION INSTRUCTIONS

ATTACH THE TRASH RECEPTACLE

- Secure the trash receptacle to the post using the two 2½” bolts in the pre-drilled holes in the back wall of the receptacle (Bag D).
NOTE: The side with the flat edge on the lid goes up against the post.
- Ensure the top of the trash receptacle is about 13” below the bag dispenser.
NOTE: This allows the lid to open fully left to right without touching the post.
- The bottom of the can should be about 9” from the ground (fig. 6).

INSTALL THE LINER TRASH BAG

- Pull the metal retainer bands up a couple of inches.
- Place a Puppy Glove™ Trash Receptacle Liner Bag inside the trash receptacle and fold it over the metal retainer bands.
- Then lower the metal retainers bands down to secure in place.

MAINTENANCE

- Regular cleaning and maintenance will help expand the life of the trash receptacle.

ENJOY THE RESULTS!

Watch pet owners use the station to keep the area clean and tidy!

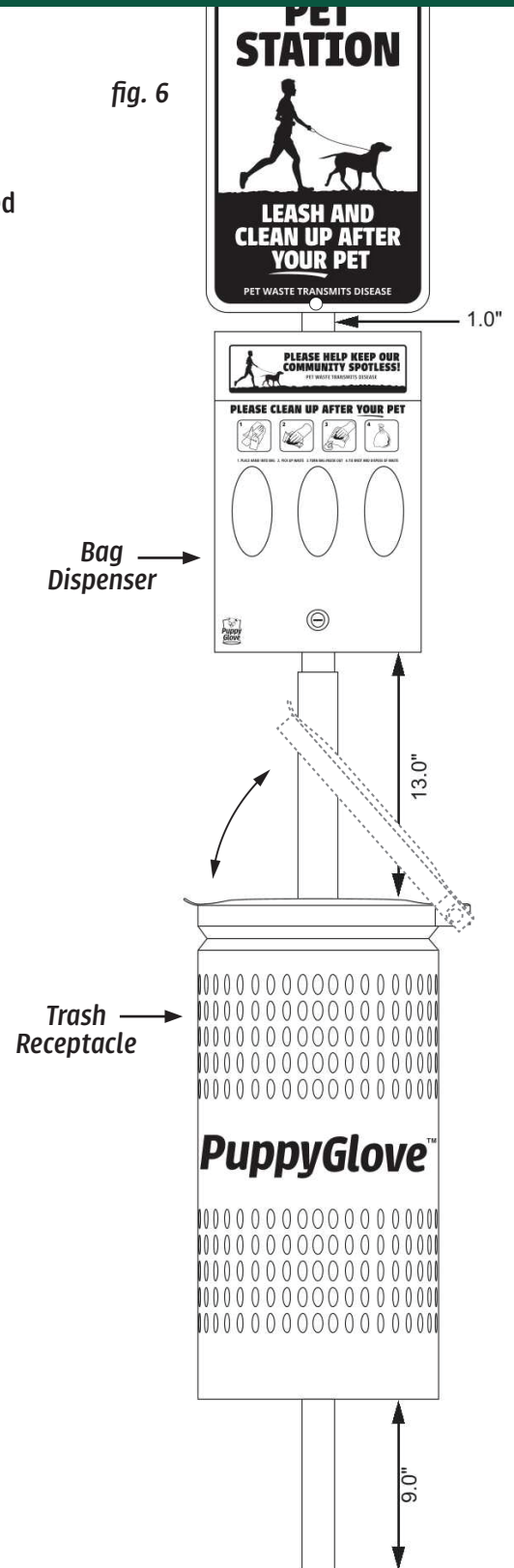
NEED MORE BAGS?

Contact Your Chadwell Supply Representative or Order Online.



ChadwellSupply.com | 888.341.2423

fig. 6



Everyone Appreciates A Clean Environment!