



# White Framed Medicine Cabinet W30

## Construction

**Mirror thickness:** 0.12"

**Bevel size:** n/a

**Frame:** 1.38" W x 0.75" D white paper wrapped MDF

**Cabinet body:** 0.5" white paper wrapped wood

**Door backing:** 0.13" white paperboard

**Cabinet body backing:** 0.13" white paperboard

**Shelf description and quantity:** two adjustable 0.5" white particleboard wood

**Hinges/brackets:** four pivot style - 2 double door and 2 single door

**Door closure:** rubber bumpers



## Installation

**Installation type:** surface mount

**Mounting method:** three plastic corner supports with screws (drilling required)

**Mounting hardware:** not included

**Reversible installation:** yes

## Notes

Install this product according to the instruction sheet. When determining the location for the medicine cabinet, ensure the door will clear all obstacles, such as lighting fixtures and faucets. A minimum distance of 3" is recommended.

Secure the mounting screws (*not included*) into wall studs to avoid possible property and product damage. If this is not possible, appropriate anchors (*not included*) must be inserted before installing the mounting screws.

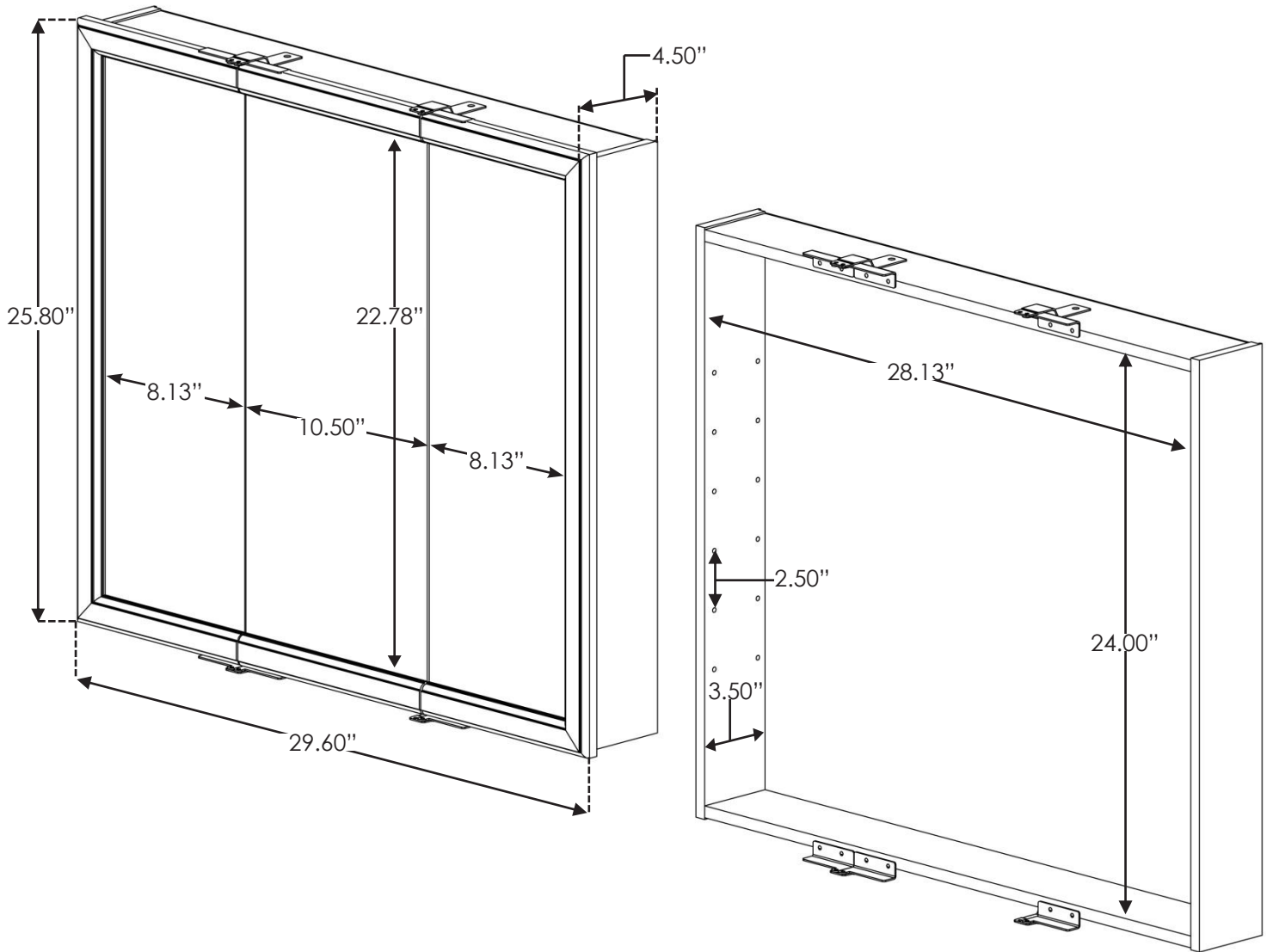


ZENITH HOME CORP. DBA MAYZON  
NEW CASTLE, DE 19720  
800-892-3986  
WEBSITE: <http://www.mayzon.com>  
PATENTS: <https://www.mayzon.com/support>



# White Framed Medicine Cabinet W30

## Dimensions

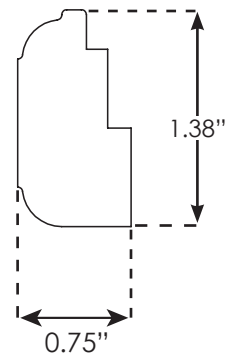


**Overall size:** 29.6" W x 25.8" H x 4.5" D

**Rough opening size:** n/a

**Mounting flange width:** n/a

## Frame Profile



ZENITH HOME CORP. DBA MAYZON  
NEW CASTLE, DE 19720  
800-892-3986  
WEBSITE: <http://www.mayzon.com>  
PATENTS: <https://www.mayzon.com/support>