



VIETNAM JJ LIGHTING COMPANY

Tel:0084-09-68800389 Email:info@vnjjlighting.com Web:www.vnjjlighting.com



Product Catalog

ALL-IN-ONE LED Wall Pack

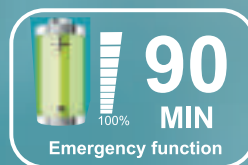
5 years
warranty

140 $\frac{LM}{W}$



IP65

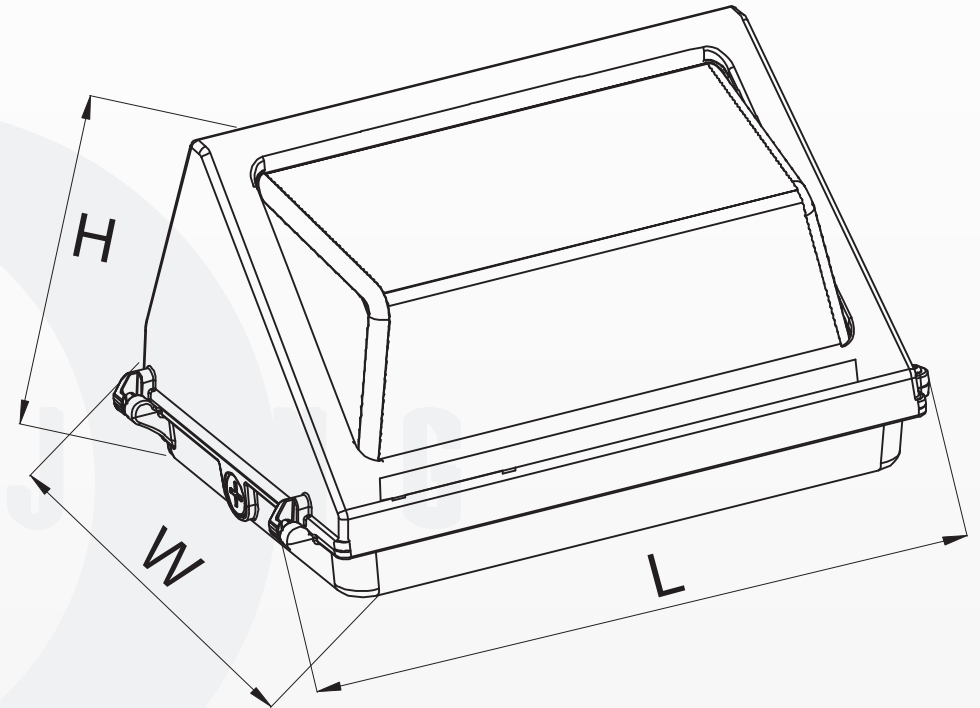
Infrared Sensor, Daylight Sensor



Product Description

| |
|----------------------------------|
| Infrared Sensor, Daylight Sensor |
| Super Bright LED 2835SMD, CRI>70 |
| Lumen Output: 140LM/W |
| 5 Years Warranty |
| UL cUL FCC certifications |
| PF> 0.9 |
| 120-277Vac |
| Dimmable 0-10V |
| UL(E508912) |

Product Dimensions

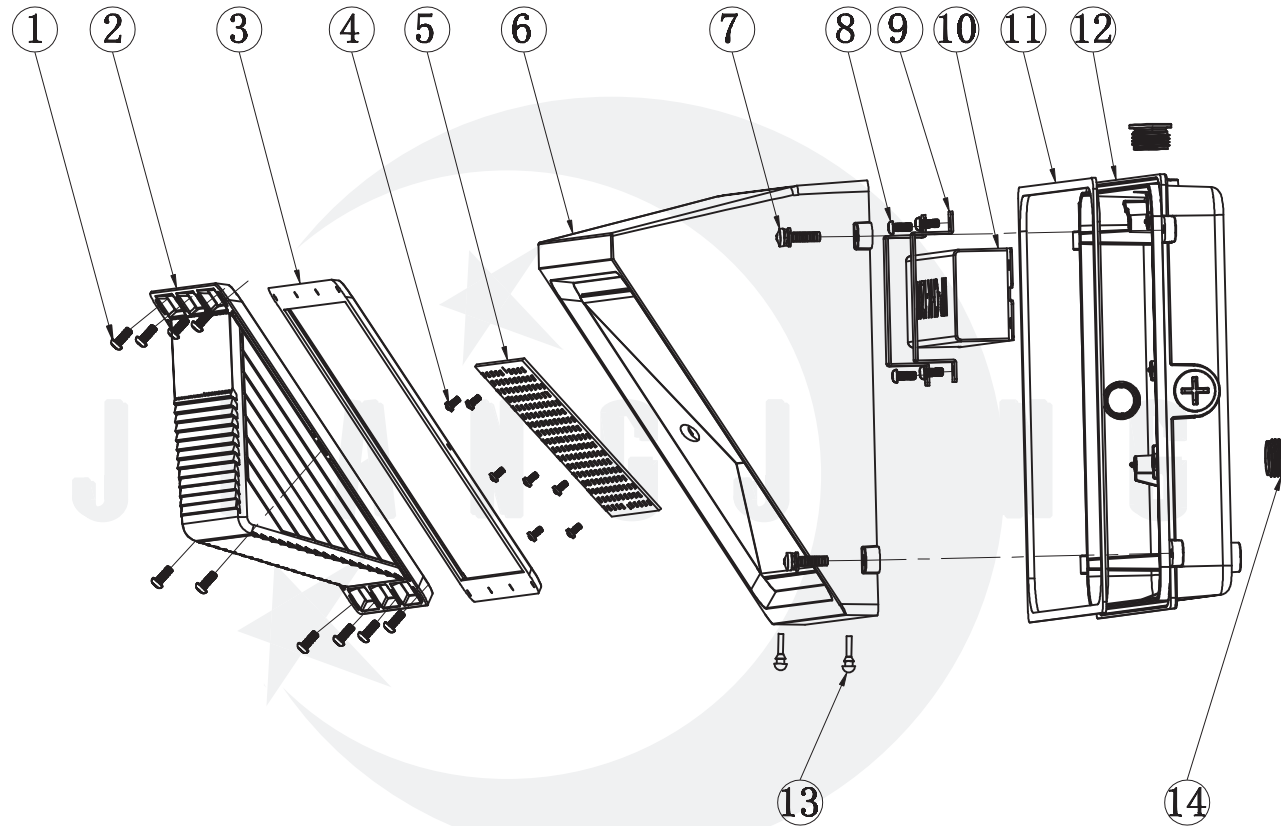


Dimensions

40W/60W/80W/100W/120W

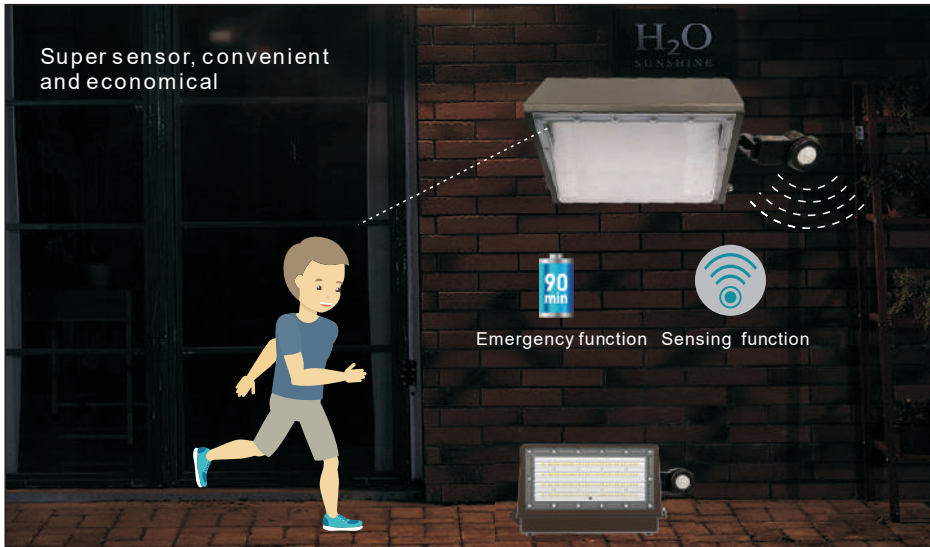
L 14.21* M 9.29* H 7.6inch

Product Structures

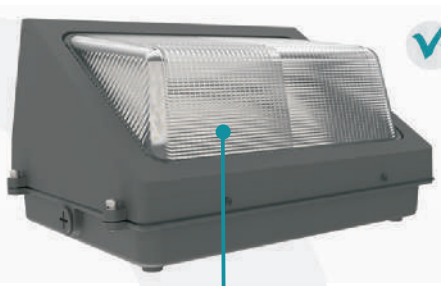


- 1: Screws to fix the Glass/PC cover
- 2: Glass/PC cover
- 3: Glass/PC cover waterproof ring
- 4: Screws to fix the PCB
- 5: LED components
- 6: Main body
- 7: Screws to fix the main body and bottom case
- 8: Screws to fix the LED driver
- 9: LED driver bracket
- 10: LED driver
- 11: Bottom shell waterproof ring
- 12: Bottom shell
- 13: Leakage hole silicone plug
- 14: 1/2 dental plug

Product Features



JJ LED Wall Pack VS Other Factories



UV Resistance
no discoloration



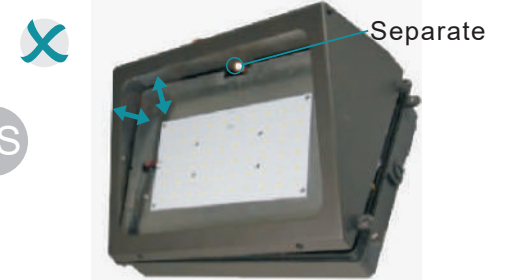
No UV Resistance
Cover turns yellow Easily

Excellent heat dissipation



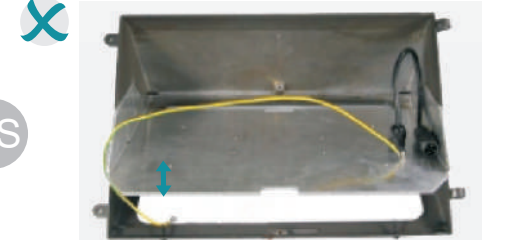
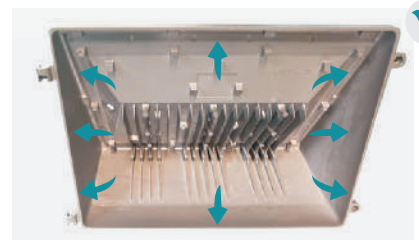
Integral Heat sink

LEDs PCB is attached on Integral Die-Casting aluminum Heating sink. Dissipation area is large and fast heat dissipation for long lifespan



Separate Heat sink

LEDs PCB is attached on one plate which is fixed to lamp body, heat is difficult to dissipate away because of small contact area, short lifespan.



Ordering information



WPA

| Model | Watt (W) | Input Voltage | Lumen | CCT (K) | Size (Inch) | N.W (lbs) | |
|-----------------------------|----------|---------------|---------|---------|----------------|-----------|-------|
| | | | | | | PC | Glass |
| WPA01-040UBBL-01[DDM,DDS]03 | 40 | 120-277Vac | 140LM/W | 3000 | 14.21*9.29*7.6 | 5.07 | 6.75 |
| WPA01-060UBBL-01[DDM,DDS]03 | 60 | | | 3500 | | 5.25 | 6.92 |
| WPA01-080UBBL-01[DDM,DDS]03 | 80 | | | 4000 | | 5.49 | 7.17 |
| WPA01-100UBBL-01[DDM,DDS]03 | 100 | | | 5000 | | 6.72 | 9.17 |
| WPA01-120UBBL-01[DDM,DDS]03 | 120 | | | 5700 | | 6.97 | 9.19 |

| | |
|----------------------------------|--------------------------|
| PS: | |
| DDM | Dimming function |
| DDS | Dimming+Sensing function |
| BB=3000K/3500K/4000K/5000K/5700K | |



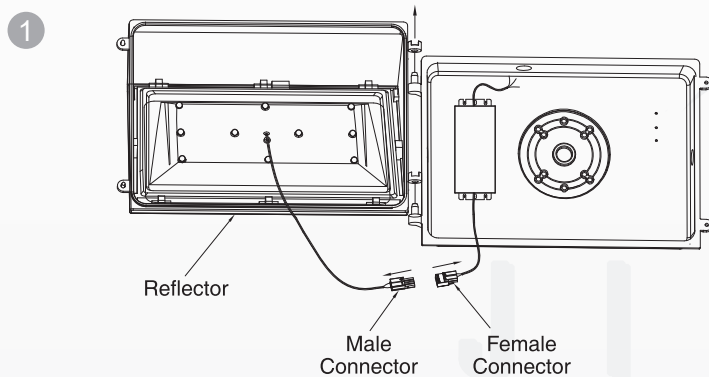
Packaging Information

| Model | Watt (W) | N.W (lbs) | | Carton Size (Inch) | QTY/ctn (pcs) | G. W (lbs) | | Qty loaded by 20GP | Qty loaded by 40GP | Qty loaded by 40HQ |
|-----------|----------|-----------|-------|--------------------|---------------|------------|-------|--------------------|--------------------|--------------------|
| | | PC | Glass | | | PC | Glass | | | |
| WPA01-040 | 40 | 5.07 | 6.75 | 15.16*11.42*9.84 | 1 | 6.22 | 7.89 | 1080 | 2232 | 2480 |
| WPA01-060 | 60 | 5.25 | 6.92 | | 1 | 6.39 | 8.07 | 1080 | 2232 | 2480 |
| WPA01-080 | 80 | 5.49 | 7.17 | | 1 | 6.64 | 8.31 | 1080 | 2232 | 2480 |
| WPA01-100 | 100 | 6.72 | 9.17 | | 1 | 7.87 | 10.32 | 1080 | 2232 | 2480 |
| WPA01-120 | 120 | 6.97 | 9.19 | | 1 | 8.11 | 10.34 | 1080 | 2232 | 2480 |

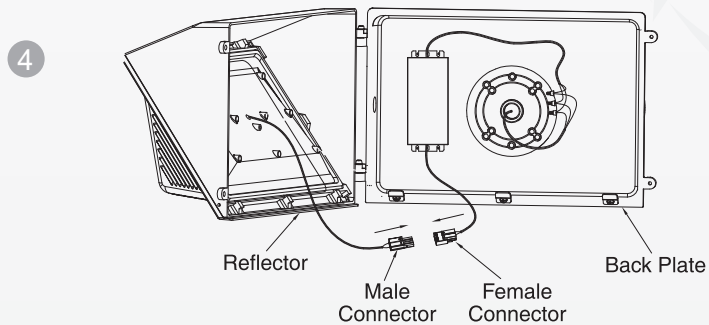
Installation Instructions

Note: Add a bead of exterior grade silicone sealant around the perimeter of the wall pack on the wall to inhibit any moisture from attachment bolts.

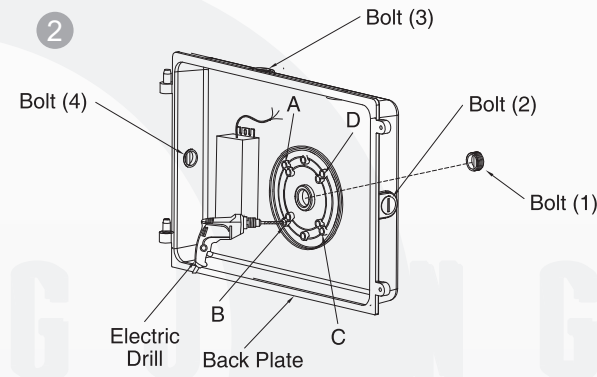
Junction Box Mounting:



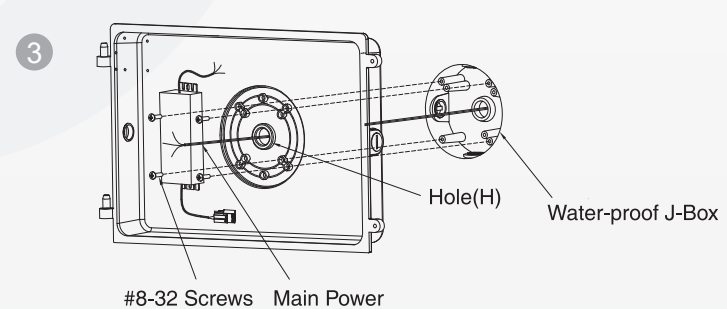
1. Unscrew the screws on the right side using a suitable screwdriver. Separate the male and female connectors, then remove the reflector from the back plate.



4. Use the hinge to lock the reflector to the back plate firmly, then connect the main power. Black wiring to L, White to N, Green to G (see diagram above.) Next, connect the male and female connectors together. Finally, use a suitable screwdriver to connect the reflector to the back plate.



2. Create four 5.0mm holes by knocking-out the four points indicated in A/B/C/D. Unscrew Bolt(1) from the bottom center. (Note: the other three Bolts (2)/(3)/(4) can be unscrewed depending on your requirements during the wiring process.)

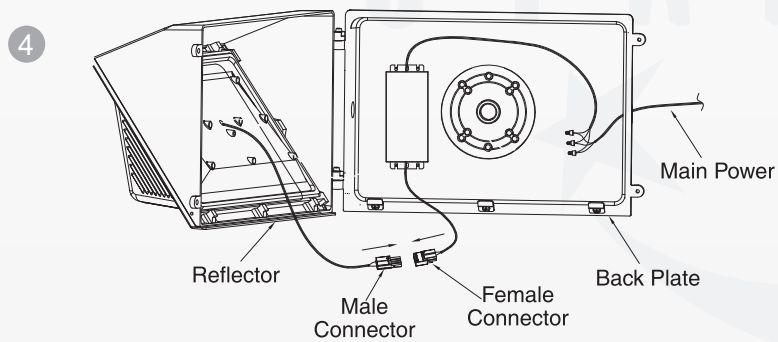


3. Run the main power wire from the water-proof J-box through the hole(H), then lock the back plate to the water-proof J-box using four #8-32 screws.

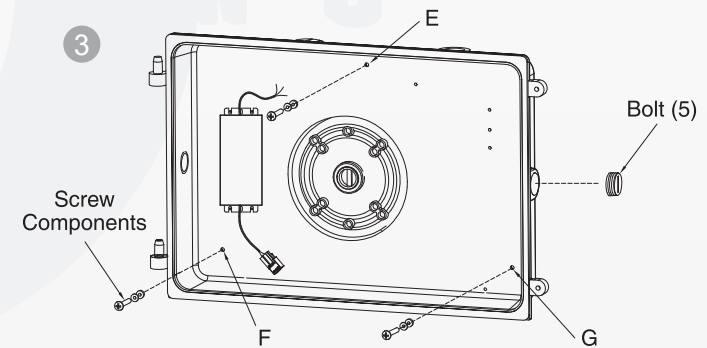
Installation Instructions

Conduit Mounting:

1. Unscrew the screws on the right side using a suitable screwdriver. Separate the male and female connectors, then remove the reflector from the back plate.
2. Unscrew the right-side Bolt(5). Open the three 6.5mm holes in E/F/G by a suitable drill, and then fasten the back plate to the wall with the three screw components. (Make sure the open holes-E/F/G are waterproof)



4. Use the hinge to lock the reflector to the back plate firmly. Next, connect the male and female connectors together. Finally, use a suitable screwdriver to connect the reflector to the back plate.



3. Run the main power through the right hole and then finish the wiring (Black wire - L, White wire - N, Green wire - G).

Installation Instructions

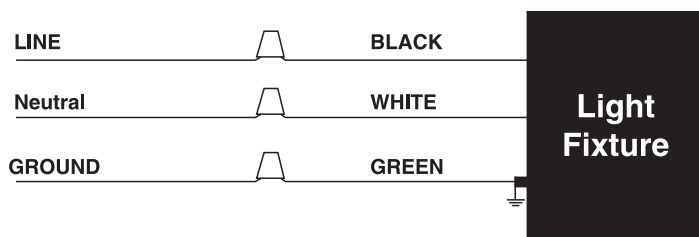
General Wiring Diagram

Note: 1 to 4 demonstrate 4 different internal wiring diagrams; if the Wall pack has an internal emergency driver, please use the second installation instructions-for installation.

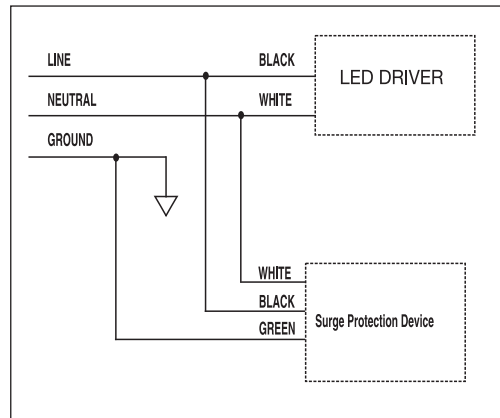
CAUTION: Turn off electrical power at fuse or circuit breaker box before wiring fixture to the power supply.

Connecting panels to AC source supply:
All units must be individually connected to the AC supply.

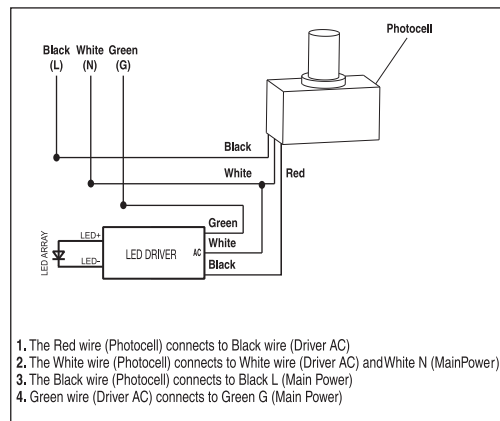
Black = Line
White = Neutral
Green = Ground



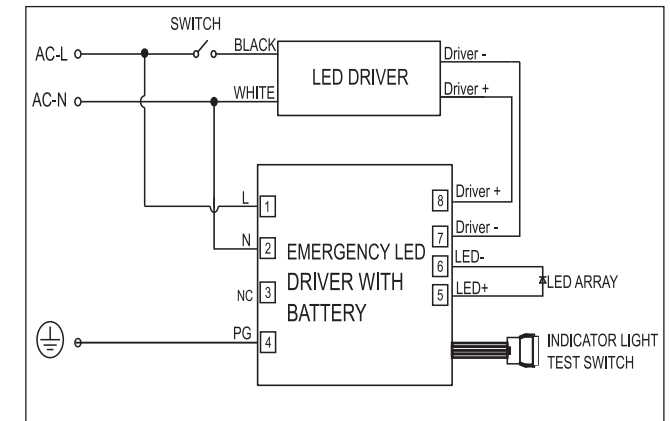
1: 277/480Vac Diagram



3: Photocell Diagram



2: Emergency Battery Backup Wiring Diagram (only for WPC Series)



4: Microwave sensor wiring Diagram

