

# **52 in.** **CEILING FAN** **Owner's Manual**

---

**Read and Save These Instructions**



**MODELS:162053L**  
**162093L**

**Weight of Fan: 7.73 Kgs**

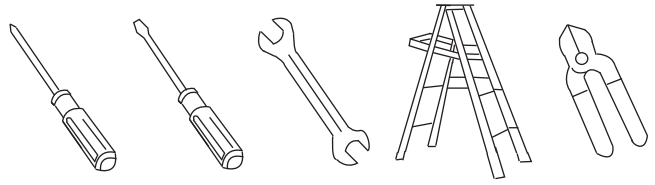


# TABLE OF CONTENTS

Tools and Materials Required.....	1
Package Contents .....	1
Safety Rules.....	2
Mounting Options.....	3
Hanging the Fan .....	4
Make the Electric Connections.....	5
Finishing the Installation.....	6
Attaching the Fan Blades.....	7
Installing the Light Kit.....	7
Installing the Light Bulb and Glass Shade.....	8
Operating Your Fan .....	9
Care of Your Fan.....	10
Troubleshooting.....	10

# 1. TOOLS AND MATERIALS REQUIRED

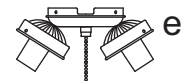
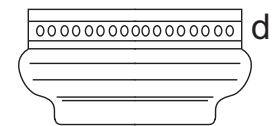
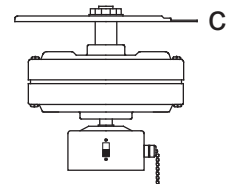
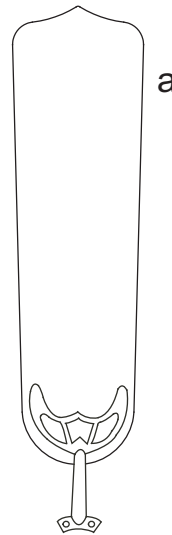
- Philips screwdriver
- Blade screwdriver
- 11 mm wrench
- Step ladder
- Wire cutter



# 2. PACKAGE CONTENTS

Unpack your fan and check the contents. You should have the following items:

- a. Blade set (5)
- b. Mounting bracket
- c. Fan motor assembly
- d. Motor housing
- e. Light kit
- f. Glass shades (4)
- g. 9 watt LED bulbs (4)
- h. Package hardware
  - 1) Mounting hardware :  
screws (2), lock washers (2),  
wire nuts (3), washers (2)
  - 2) Motor hardware:  
screws (4)
  - 3) Motor housing hardware:  
screws (4)
  - 4) Blade attachment hardware:  
screws (13), fiber washers (13)
  - 5) Blade bracket attachment hardware:  
screw (1)
  - 6) Glass shade attachment hardware:  
thumb screw (1)
  - 7) Pull chains and fobs (2)
  - 8) Balance Kit



### 3. SAFETY RULES

1. To reduce the risk of electric shock, insure electricity has been turned off at the circuit breaker or fuse box before beginning.
2. All wiring must be in accordance with the National Electrical Code and local electrical codes. Electrical installation should be performed by a qualified licensed electrician.
3. **WARNING:** To reduce the risk of electrical shock and fire, do not use this fan with any solid-state fan speed control device.
4. **WARNING:** To reduce the risk of fire, electric shock, or other personal injury, mount fan only on an outlet box or supporting system marked acceptable for fan support of 35 lbs (15.9 kg) or less and use mounting screws provided with the outlet box. Most outlet boxes commonly used for the support of lighting fixtures are not acceptable for fan support and may need to be replaced. Consult a qualified electrician if in doubt.
5. The outlet box and support structure must be securely mounted and capable of reliably supporting a minimum of 50 pounds. Use only UL Listed outlet boxes marked "**FOR FAN SUPPORT**".
6. The fan must be mounted with a minimum of 7 feet clearance from the trailing edge of the blades to the floor.
7. Do not operate reversing switch while fan blades are in motion. Fan must be turned off and blades stopped before reversing blade direction.
8. Avoid placing objects in the path of the blades.
9. To avoid personal injury or damage to the fan and other items, be cautious when working around or cleaning the fan.
10. Do not use water or detergents when cleaning the fan or fan blades. A dry dust cloth or lightly dampened cloth will be suitable for most cleaning.
11. After marking electrical connections, spliced conductors should be turned upward and pushed carefully up into outlet box. The wires should be spread apart with the grounded conductor and the equipment-grounding conductor on one side of the outlet box.
12. Electrical diagrams are reference only. Light kit that are not packed with the fan must be UL Listed and marked suitable for use with the model fan you are installing. Switches must be UL General Use Switches. Refer to the Instructions packaged with the light kits and switches for proper assembly.

**WARNING**  
TO REDUCE THE RISK OF FIRE, ELECTRIC SHOCK OR PERSONAL INJURY, MOUNT FAN TO OUTLET BOX MARKED "ACCEPTABLE FOR FAN SUPPORT".

**WARNING**  
TO REDUCE THE RISK OF PERSONAL INJURY, DO NOT BEND THE BLADE BRACKETS (ALSO REFERRED TO AS FLANGES) DURING ASSEMBLY OR AFTER INSTALLATION. DO NOT INSERT OBJECTS IN THE PATH OF THE BLADES.

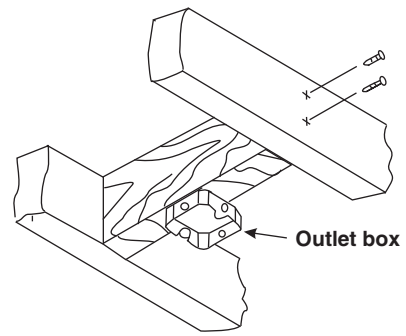
## 4. MOUNTING OPTIONS

If there isn't an existing UL listed mounting box, then read the following instructions. Disconnect the power by removing fuses or turning off circuit breakers.

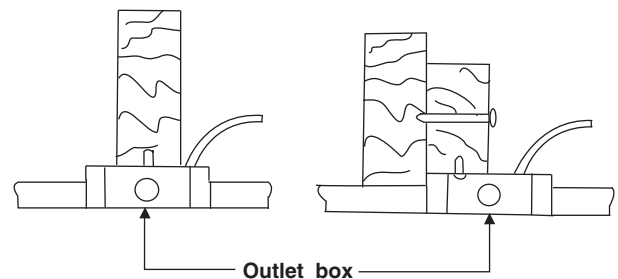
Secure the outlet box directly to the building structure. Use appropriate fasteners and building materials. The outlet box and its support must be able to fully support the moving weight of the fan (at least 50 lbs). Do not use plastic outlet boxes.

Figures 1 and 2 are examples of different ways to mount the outlet box.

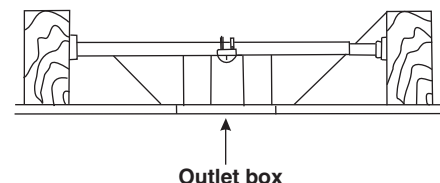
To hang your fan where there is an existing fixture but no ceiling joist, you may need an installation hanger bar as shown in Figure 3.



**Figure 1**



**Figure 2**

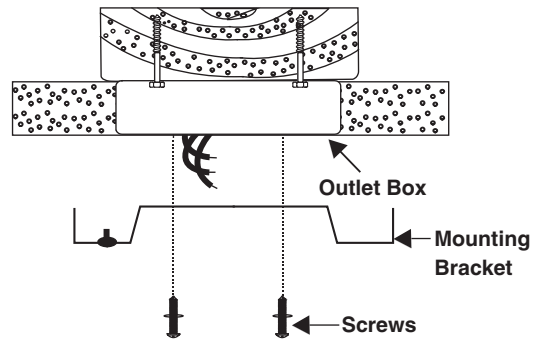


**Figure 3**

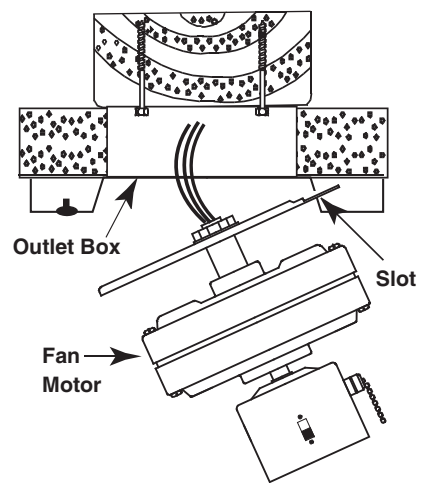
## 5. HANGING THE FAN

**REMEMBER** to turn off the power. Follow the steps below to hang your fan properly.

1. Attach the mounting bracket to the outlet box using the two screws and washers provided with the outlet box. (Fig. 4) For best performance be sure the mounting bracket is level and secured firmly against the ceiling. You may need to insert additional washers (not provided) between the outlet box and mounting bracket to make it level.
2. Carefully Lift the fan motor assembly (without the blades) and insert the T section of the motor housing plate into the slot in the mounting bracket as shown in Fig. 5.



**Figure 4**



**Figure 5**

# 6. MAKE THE ELECTRIC CONNECTIONS

**Remember** to disconnect the power. Follow the steps below to connect the fan to your household wiring. Use the wire connecting nuts supplied with your fan. Secure the connectors with electrical tape. Make sure there are no loose strands or connections.

Step 1 Connect the fan supply (black) wire and light supply (blue) wire to the black household supply wire as shown in Figure 6.

Step 2. Connect the neutral fan (white) wire to the white neutral household wire.

Step 3 Connect the fan ground wire (green) to the household ground wire.

Step 4 After connecting the wires, spread them apart so that the green and white wires are on one side of the outlet box and the black and the blue wires are on the other side.

Step 5 Turn the connecting nuts upward and push the wiring into the outlet box.

Figures 7 and 8 illustrate the wiring connections for optional wall control (The wire color out of wall control may vary, see wall control's installation manual for correct wire connections.)

**WARNING:** TO REDUCE THE RISK OF FIRE, ELECTRIC SHOCK, OR OTHER PERSONAL INJURY. MOUNT FAN ONLY ON AN OUTLET BOX OR SUPPORTING SYSTEM MARKED ACCEPTABLE FOR FAN SUPPORT.

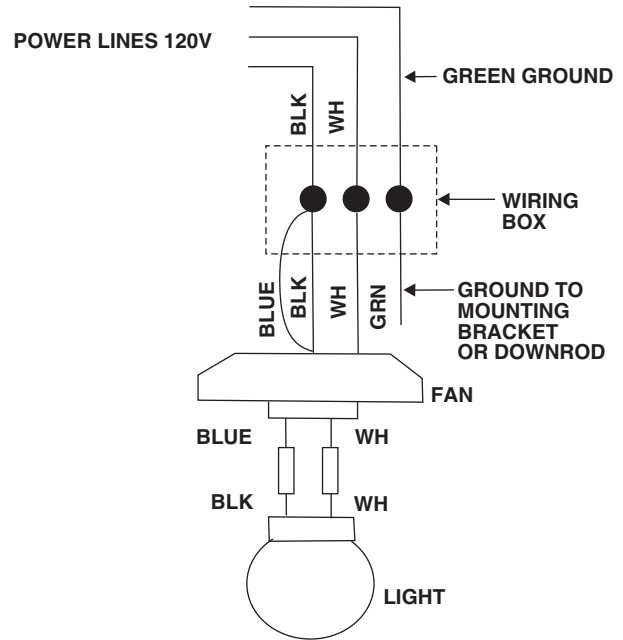


Figure 6

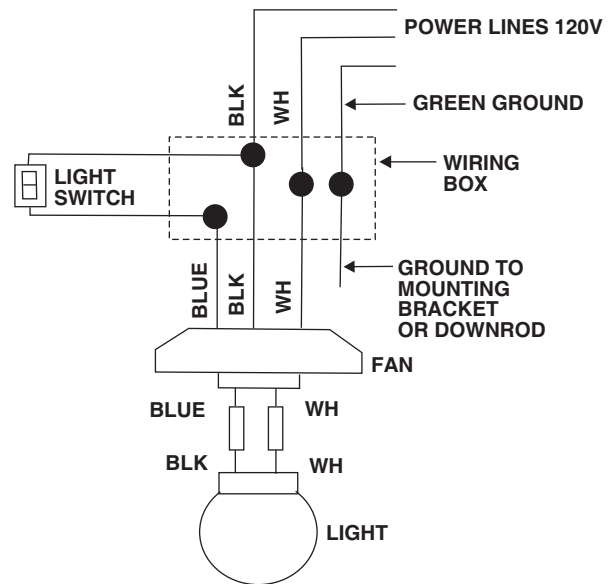


Figure 7

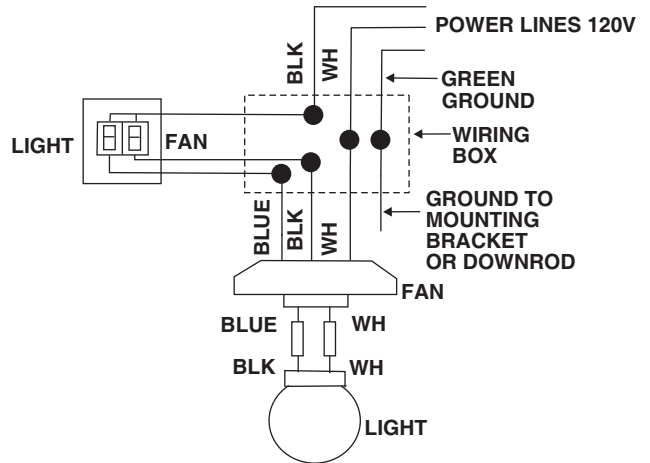


Figure 8

# 7. FINISHING THE INSTALLATION

- 1. Swing the motor assembly up into position under the mounting bracket. Secure the bracket to the plate with the screws provided. (Fig. 9)
- 2. Carefully lift the motor housing onto the mounting bracket, properly align the holes and tighten the motor housing with the 3 screws supplied. (Fig. 10)

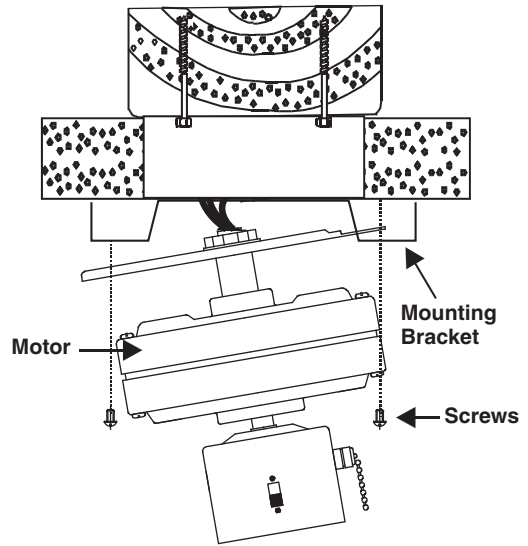


Figure 9

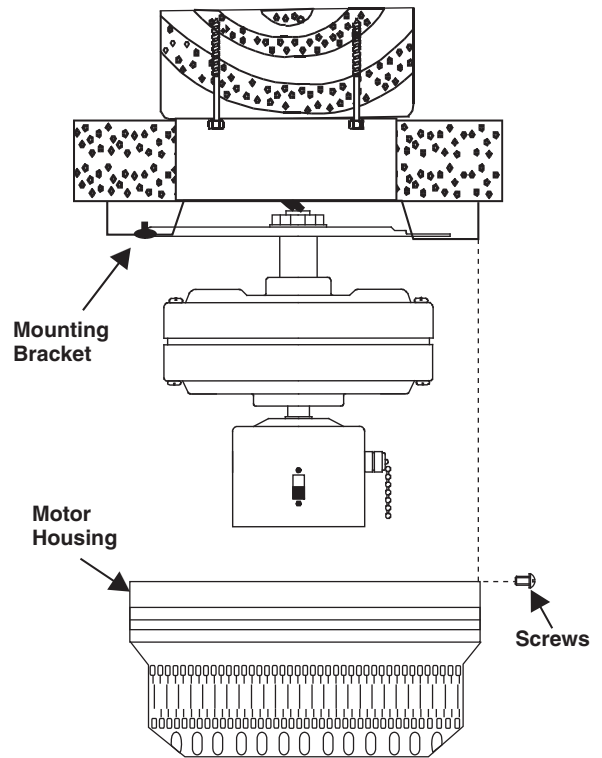


Figure 10

## 8. ATTACHING THE FAN BLADES

Install the blade set to motor using the screws supplied. (Fig. 11)

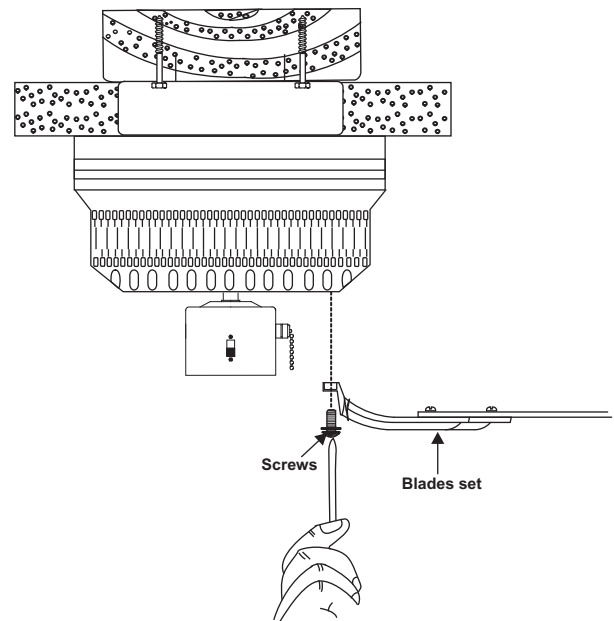


Figure 11

## 9. INSTALLING THE LIGHT KIT

**NOTE:** Before starting installation, disconnect the power by turning off the circuit breaker or removing the fuse at fuse box. Turning power off using the fan switch is not sufficient to prevent electric shock.

Step 1. Raise and hold the light kit close to the switch housing and proceed to do the wire connections, connect the blue wire from the switch housing to the black wire from the light kit. follow the same procedure with the white wire connections. Use the wire connecting nuts supplied with your fan. (Fig. 12)

Step 2. Attach the light kit to the switch housing by using the three (3) screws provided. (Fig. 12)

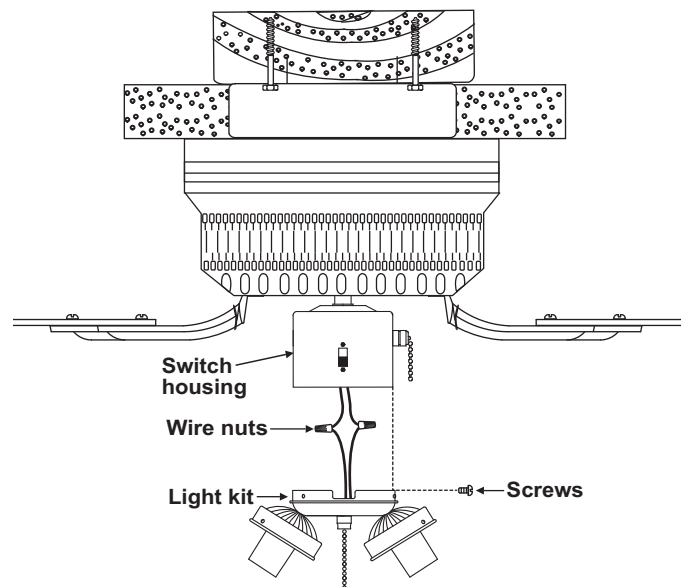
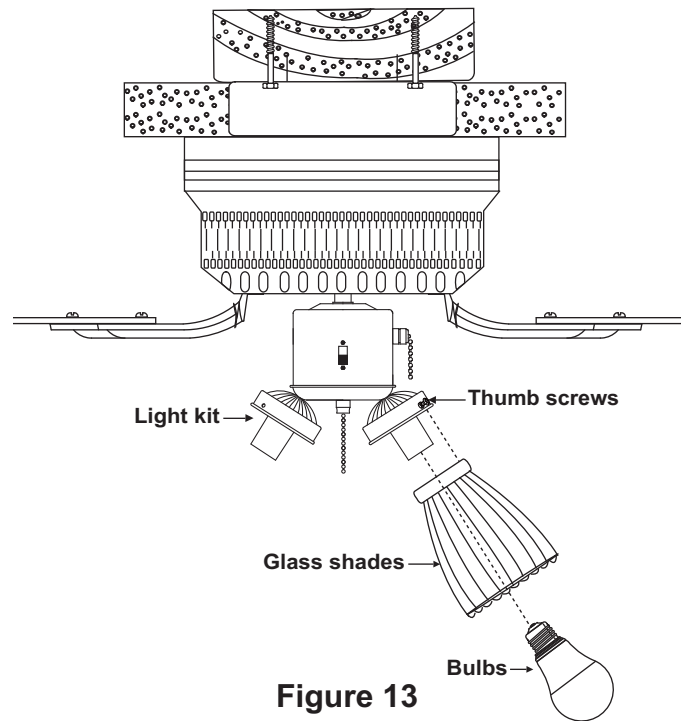


Figure 12

## 10. INSTALLING THE LIGHT BULB AND GLASS SHADE

**NOTE:** Before starting installation, disconnect the power by turning off the circuit breaker or removing the fuse at fuse box. Turning power off using the fan switch is not sufficient to prevent electric shock.

1. Install 9 watt LED bulbs (included). (Fig. 13)
2. Mount the glass shades to the light fixture by unscrewing partway the thumb screws on the glass holders, insert the glass, then gently tighten the thumb screws by hand evenly to the glass. **DO NOT OVER TIGHTEN.** (Fig. 13)
3. Restore power and your light kit is ready for operation.



# 11. OPERATING YOUR FAN

Turn on the power and check the operation of your fan. The pull chain controls the fan speed as follows:

1. 3-speed pull chain- it controls the fan speed as follows: 1 pull- High, 2 pulls- Medium, 3 pulls- Low, and 4 pulls- Off.

Speed settings for warm or cool weather depend on factors such as the room size, ceiling height, number of fans, and so on.

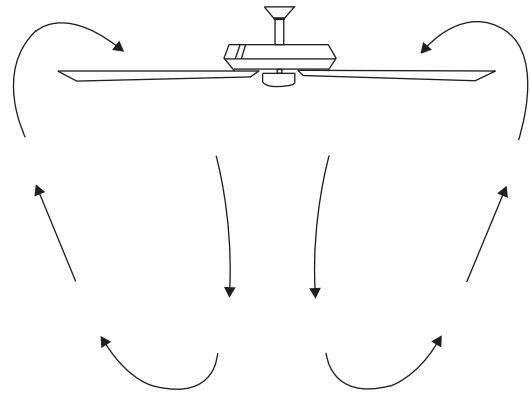
2. Light kit pull chain- it controls the light kit in "ON" or "OFF".

The slide switch controls directions: forward (switch down) or reverse (switch up).

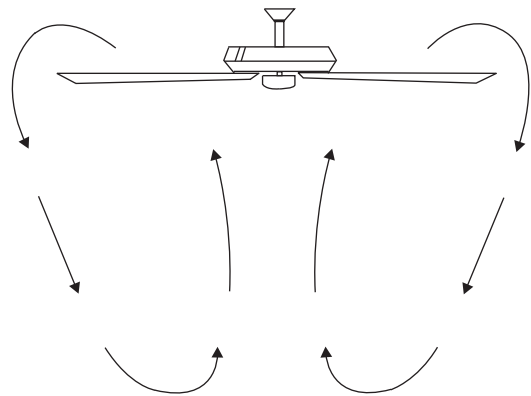
**NOTE:** Wait for fan to stop before changing the setting of the slide switch.

Warm weather - (Forward) A downward airflow creates a cooling effect as shown in Fig. 14. This allows you to set your air conditioner on a warmer setting without affecting your comfort.

Cool weather - (Reverse) An upward airflow moves warm air off the ceiling area as shown in Fig. 15. This allows you to set your heating unit on a cooler setting without affecting your comfort.



**Figure 14**



**Figure 15**

## 12. CARE OF YOUR FAN

Here are some suggestions to help you maintain your fan

1. Because of the fan's natural movement, some connections may become loose. Check the support connections, brackets, and blade attachments twice a year. Make sure they are secure. (It is not necessary to remove fan from ceiling.)
2. Clean your fan periodically to help maintain its new appearance over the years. Use only a soft brush or lint-free cloth to avoid scratching the finish. The plating is sealed with a lacquer to minimize discoloration or tarnishing. Do not use water when cleaning. This could damage the motor, or the wood, or possibly cause an electrical shock.
3. You can apply a light coat of furniture polish to the wood blades for additional protection and enhanced beauty. Cover small scratches with a light application of shoe polish.
4. There is no need to oil your fan. The motor has permanently lubricated bearings.

**IMPORTANT:** MAKE SURE THE POWER IS OFF AT THE ELECTRICAL PANEL BOX BEFORE YOU ATTEMPT ANY REPAIRS. REFER TO THE SECTION "MAKING ELECTRICAL CONNECTIONS".

## 13. TROUBLESHOOTING

Problem	Solution
Fan will not start.	<ol style="list-style-type: none"><li>1. Check circuit fuses or breakers.</li><li>2. Check line wire connections to the fan and switch wire connections in the switch housing. <b>CAUTION:</b> Make sure main power is off.</li></ol>
Fan sounds noisy.	<ol style="list-style-type: none"><li>1. Make sure all motor housing screws are snug.</li><li>2. Make sure the screws that attach the fan blade bracket to the motor hub is tight.</li><li>3. Make sure wire nut connections are not rubbing against each other or the interior wall of the switch housing. <b>CAUTION:</b> Make sure main power is off.</li><li>4. Allow a 24-hour "breaking-in" period. Most noise associated with a new fan disappear during this time.</li><li>5. If using an optional light kit, make sure the screws securing the glassware are tight. Check that the light bulb is also secure.</li><li>6. Some fan motors are sensitive to signals from solid-state variable speed controls. If you have installed this type of control, choose and install another type of control.</li><li>7. Make sure the upper canopy is a short distance from the ceiling. It should not touch the ceiling.</li></ol>
Fan wobble.	<ol style="list-style-type: none"><li>1. Check that all blade and blade arm screws are secure.</li><li>2. Most fan wobbling problems are caused when blade levels are unequal. Check this level by selecting a point on the ceiling above the tip of one of the blades. Measure this distance. Rotate the fan until the next blade is positioned for measurement. Repeat for each blade. The distance deviation should be equal within 1/8".</li><li>3. Use the enclosed Blade Balancing Kit if the blade wobble is still noticeable.</li><li>4. If the blade wobble is still noticeable, interchanging two adjacent (side by side) blades can redistribute the weight and possibly result in smoother operation.</li></ol> <p><b>WARNING:</b> TO REDUCE THE RISK OF PERSONAL INJURY, DO NOT BEND THE BLADE ARM WHILE INSTALLING, BALANCING THE BLADES, OR CLEANING THE FAN. DO NOT INSERT FOREIGN OBJECTS BETWEEN ROTATING FAN BLADES.</p>