

Features & Benefits

- No rewiring needed
- Works with fluorescent electronic ballast (Instant Start, Programmed Start, and Dimming)*
- Long life
- High CRI
- Instant on, no delay
- Convenient and quick installation
- Utilizes existing instant start or rapid start sockets
- Compatible with controls and sensors
- Dimmable
- Works in cold temperature applications
- Glass tube for superior optical performance
- 5 Year Warranty



* EMERGENCY BALLAST RESTRICTIONS



RetroFlex™
LED T8 LAMP • Simplicity.
Commercial Grade LED T8 Lamp

Specification Data (with Normal Ballast Factor)

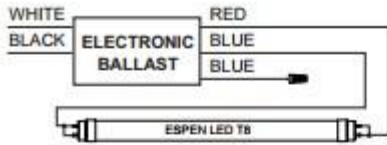
Order Code	Length	Lamp Wattage	System Wattage	CCT	Initial Lumens	CRI	Beam Angle	Lamp Efficacy	System Efficacy	Life	DLC
L48T8/835/10G-EB	48	10	13	3500K	1800	80+	325	160	127	50000	Yes
L48T8/840/10G-EB	48	10	13	4000K	1800	80+	325	160	127	50000	Yes
L48T8/850/10G-EB	48	10	13	5000K	1800	80+	325	160	127	50000	Yes
L48T8/830/10G-EB	48	10	13	3000K	1800	80+	325	160	127	50000	Yes

System Performance

Lamp Model	Lamp Power	Low Ballast Factor			High Ballast Factor			Lamp Efficacy
		System Power	Lumen Output	Lamp Efficacy	Lamp Power	System Power	Lumen Output	
L48T8/835/10G-EB	8	11	1300	160	15	20	2350	155
L48T8/840/10G-EB	8	11	1300	160	15	20	2350	155
L48T8/850/10G-EB	8	11	1300	160	15	20	2350	155
L48T8/830/10G-EB	8	11	1300	160	15	20	2350	155

Wiring diagram

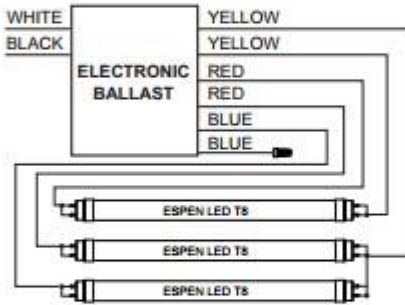
1-LAMP Instant Start Electronic Ballast



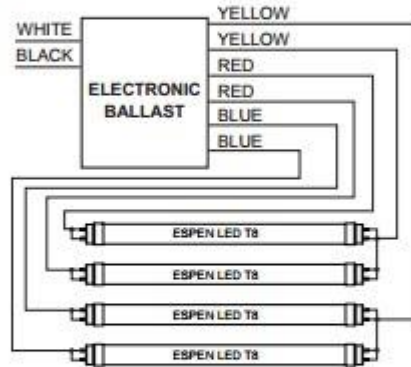
2-LAMP Instant Start Electronic Ballast



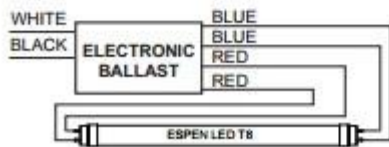
3-LAMP Instant Start Electronic Ballast



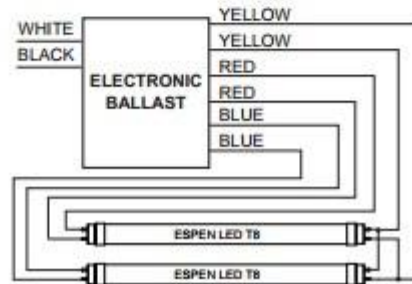
4-LAMP Instant Start Electronic Ballast



1-LAMP Programmed Start Electronic Ballast



2-LAMP Programmed Start Electronic Ballast



* Please refer to "Ballast Compatibility List" for compatible battery backup and/or emergency ballasts.

* Please refer to "Ballast Compatibility List" on Related Downloads.

Specification data is based on tests performed in a controlled environment and represents relative performance. Actual performance can vary depending on operating conditions. Application and performance data subject to change without notice. All specifications are nominal unless noted otherwise.