

SMOKE & CO COMBO ALARM

10-YEAR SEALED

BRK[®]

THE PROFESSIONAL STANDARD

CAT. **PRC710B**

Sealed 3V Lithium Power Cell



Description:

LOW PROFILE DESIGN

Sleek, contemporary design blends into any décor.

10-YEAR LITHIUM POWER

10 years of continuous protection. No battery change required. Provides audible notice when alarm has reached its end of life.

TAMPERPROOF SEALED ALARM

Powercell cannot be removed.

ELECTROCHEMICAL CO SENSOR

Most accurate technology available for detecting carbon monoxide as compared to other sensing technologies.

PHOTOELECTRIC

Photoelectric technology is generally more sensitive at detecting large particles, which tend to be produced in greater amounts by smoldering fires.

SILENCE FEATURE

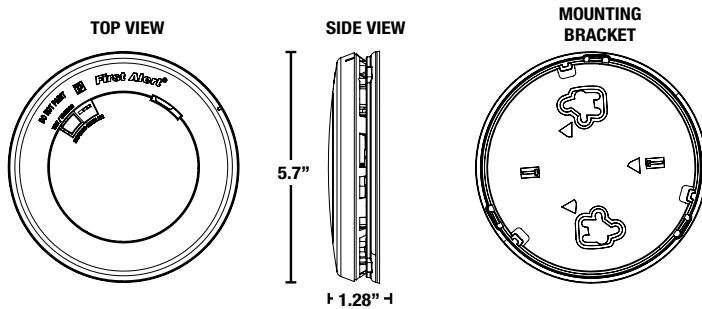
Silences nuisance alarms.

BRK PRC710B (model PC1210) is a 3V lithium power cell single station photoelectric smoke and carbon monoxide combination alarm specifically designed for residential and institutional applications including sleeping rooms of hospitals, hotels, motels, dormitories, and other multifamily dwellings as defined in standard NFPA 101. BRK PRC710B has been fully tested and complies with, UL217, UL2034, CSFM, NFPA 72, NFPA 720, NFPA 101 and other agencies that model their codes after the above agencies. It meets building codes where tamperproof 10-year sealed lithium battery operated photoelectric smoke and carbon monoxide combination alarms are required and with model building codes published by the ICC.

BRK PRC710B is a state of the art smoke and CO combination alarm designed to provide early warning of a fire or carbon monoxide danger. It features a photoelectric smoke sensing chamber, an electrochemical CO sensor and a sealed 10-year lithium power cell power supply that is permanently installed. The tamperproof design will not allow the powercell to be removed. The low power warning indicator will cause the alarm to "chirp" when it reaches the end of its service life and needs to be replaced. Upon end of life, the unit meets UL requirements for disabling the alarm and non-reinstallation of unit to mounting bracket. It also features a tamper resistant locking pin that locks the alarm to the mounting bracket to prevent removal of the alarm. Perfect for apartment, dormitory or hotel applications. The sleek, low profile design complements any décor. Designed for wall or ceiling mounting. Includes mounting anchors and screws.



CAT. PRC710B



ARCHITECTURAL AND ENGINEERING SPEC

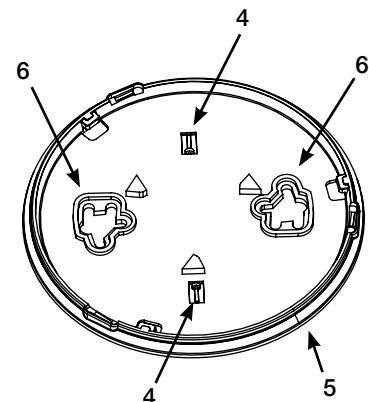
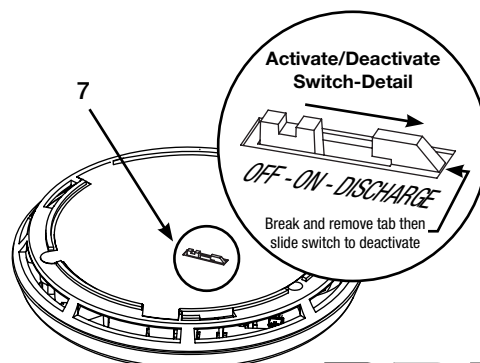
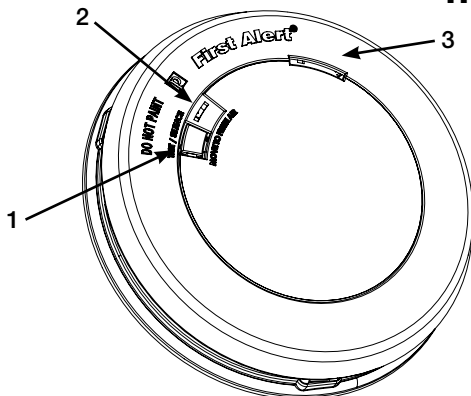
The smoke and CO combination alarm shall be a BRK Model PC1210 (cat. no. PRC710B) and shall provide at a minimum the following features and functions:

1. A Photoelectric smoke sensing chamber and an electrochemical CO sensor.
2. A Voice Warning of danger detected (Smoke and/or Carbon Monoxide) in addition to speaking one of 11 pre-programmed locations, e.g. "Warning, Evacuate, Smoke in Basement"
3. The unit shall have an "10 Year End of Life" signal. This signal should be capable of temporarily being silenced for up to 2 days. After about 2 days, the signal will resume. After about 2-3 weeks the signal cannot be silenced.
4. Fully screened smoke sensing chamber to resist entry of small insects thereby reducing the probability of unwanted alarms and be capable of self restoring.
5. Powered by a sealed 10-year lithium powercell with a tamperproof design. The tamperproof design shall not allow the powercell to be removed. A low power warning indicator shall cause the alarm to "chirp" when it reaches the end of its service life and needs to be replaced. Upon end of life, the unit shall meet UL requirements for disabling the alarm and the non-reinstallation of unit to mounting bracket.
6. A visual LED power-on indicator to confirm unit is receiving power or is alarm.
7. A full function test button should check all alarm functions by simulating a smoke and CO condition, causing the unit to alarm.
8. Two Silence features - Low Battery Silence: Silence low battery chirp for up to 8 hours. Alarm Silence: Temporarily silence unwanted nuisance alarms.
9. Tamper resistant locking pin that locks alarm to mounting bracket to prevent removal of the alarm.
10. The unit shall be capable of operating between 40°F (4°C) and 100°F (38°C) and relative humidity between 10% and 95%.
11. The unit shall contain mounting hardware and shall be listed for wall or ceiling mounting.
12. The unit shall at a minimum meet the requirements of UL217, UL2034, CSFM, NFPA 72, NFPA 720, NFPA 101, ICC

INSTALLATION OF ALARM

Installation of this alarm must conform to NFPA 72 and 720. Always check your local building codes. Follow all instructions for placement as outlined in the user's manual in sections titled "Recommended Locations for Smoke Alarms" and "Locations to Avoid for Smoke Alarms".

THE PARTS OF THIS ALARM



- | | |
|-------------------------------------|-------------------------------|
| 1. Test/Silence button | 5. Mounting bracket |
| 2. LED alarm light | 6. Mounting Slots |
| 3. Horn | 7. Activate/Deactivate switch |
| 4. Locking tab slot (Break out Tab) | |

TECHNICAL SPECS

Alarm Dimensions:	5.7" Dia. x 1.28"H
Weight:	7.9 oz
Operating Voltage:	3V Lithium Power Cell
Temperature Range:	40°F (4°C) to 100°F (38°C)
Humidity Range:	10% to 95% relative humidity (RH)
Audio Alarm:	85dB at 10 feet
Test/Silence:	Electronically simulates smoke and CO conditions, causing the unit to alarm. Press and hold test/silence button.
Alarm Reset:	Automatic when smoke clears
Smoke Sensor:	Photoelectric
CO Sensor:	Electrochemical
Indicator Lights/Sounds:	
DC Power:	Intermittent Green LED
Local Alarm:	Audio alarm and rapidly flashing Red LED
Listing:	Listed to UL217 and UL2034 Standards

SHIPPING SPECS

Individual Carton Dimensions	5.75 "L x 1.38"D x 5.75"H
Weight	0.49 lbs.
Cube	0.03 ft ³
UPC	0 29054 01500 6
Master Carton Dimensions	8.88 "L x 6.06"W x 6.31"H
Master Pack	6
Weight	3.3 lbs.
Cube:	0.20 ft ³
I2of5:	600 29054 01500 8
Pallet Information	
Cases per Layer	32
Number of Layers:	8
Cases per Pallet:	256
Units per Pallet:	1,536
Cube:	55.8 ft ³
Weight:	920 lbs.



©2014 BRK Brands, Inc. a Jarden Corporation
Company (NYSE: JAH)
3901 Liberty Street Road
Aurora, IL 60504-8122
All rights reserved

First Alert is a registered trademark of the First Alert Trust
BRK is a registered trademark of BRK Brands, Inc.
CM3209